

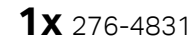
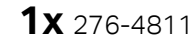
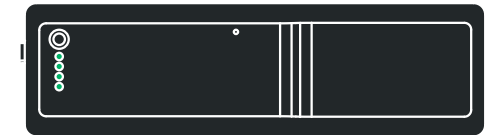
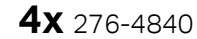
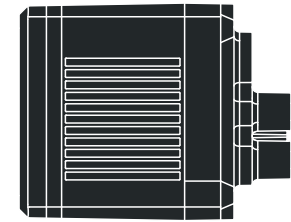
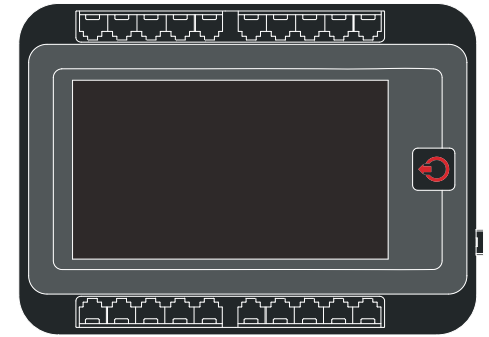
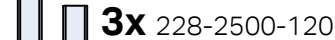
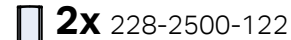
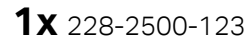
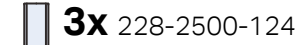
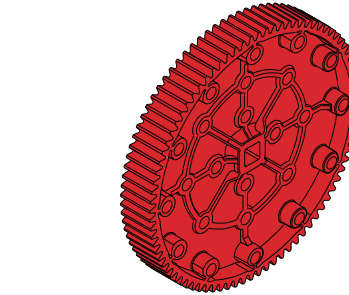
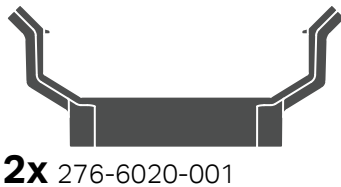
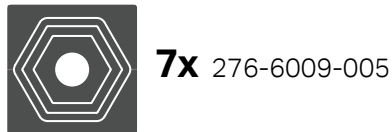
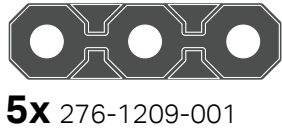
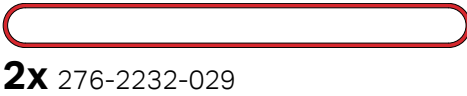
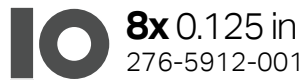
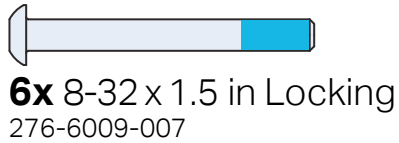
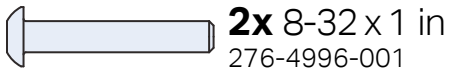
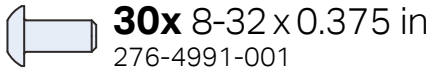
Clawbot Build Instructions

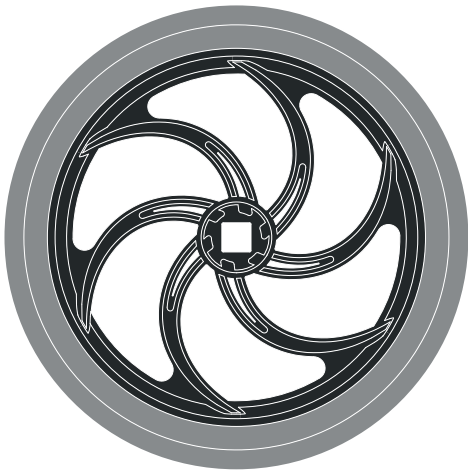


276-6009-750

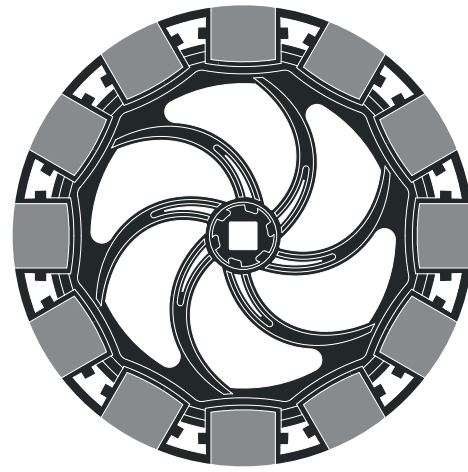
Parts List

All V5 Control System, gears, wheels, wires, and structure are not to scale
All other parts listed are 1:1 scale

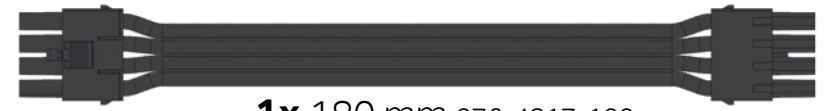




2x 276-6299-000



2x 276-6298-000



1x 180 mm 276-4817-100



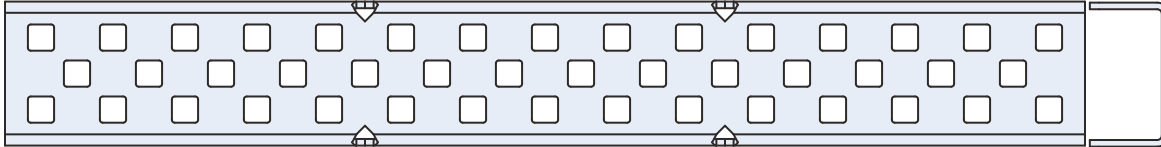
3x 300 mm 276-4860-020



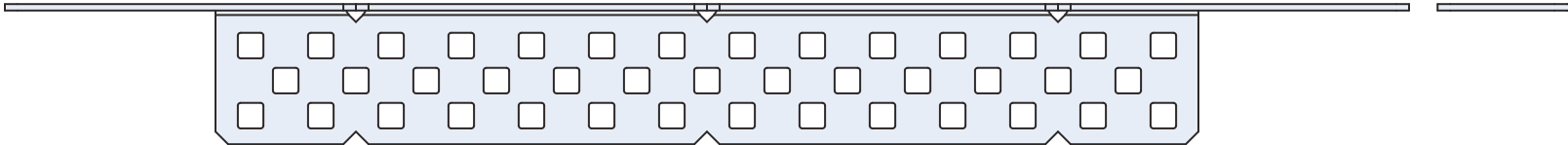
1x 600 mm 276-4860-030



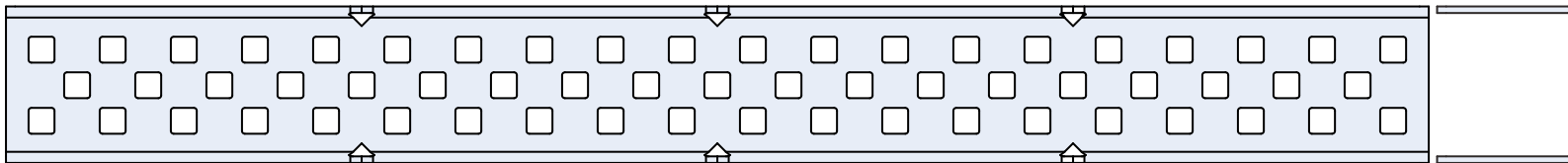
1x 900 mm 276-4861-010



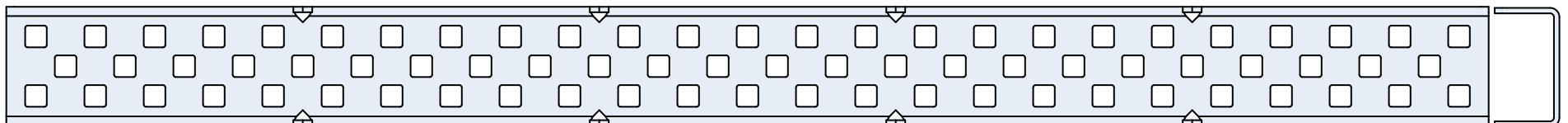
2x 276-2232-028



2x 276-6009-002



3x 276-6009-001



2x 276-2232-029



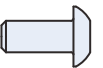
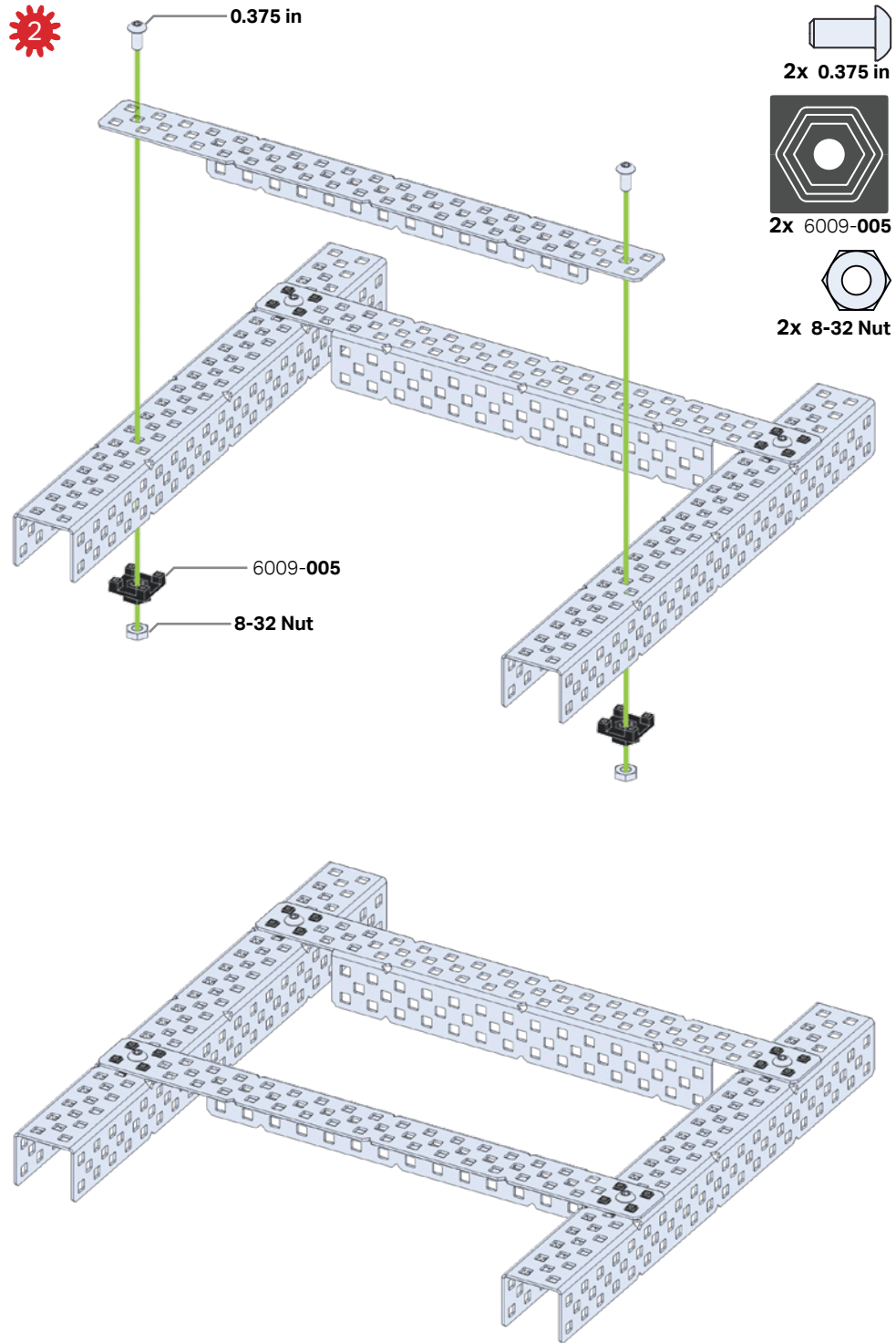
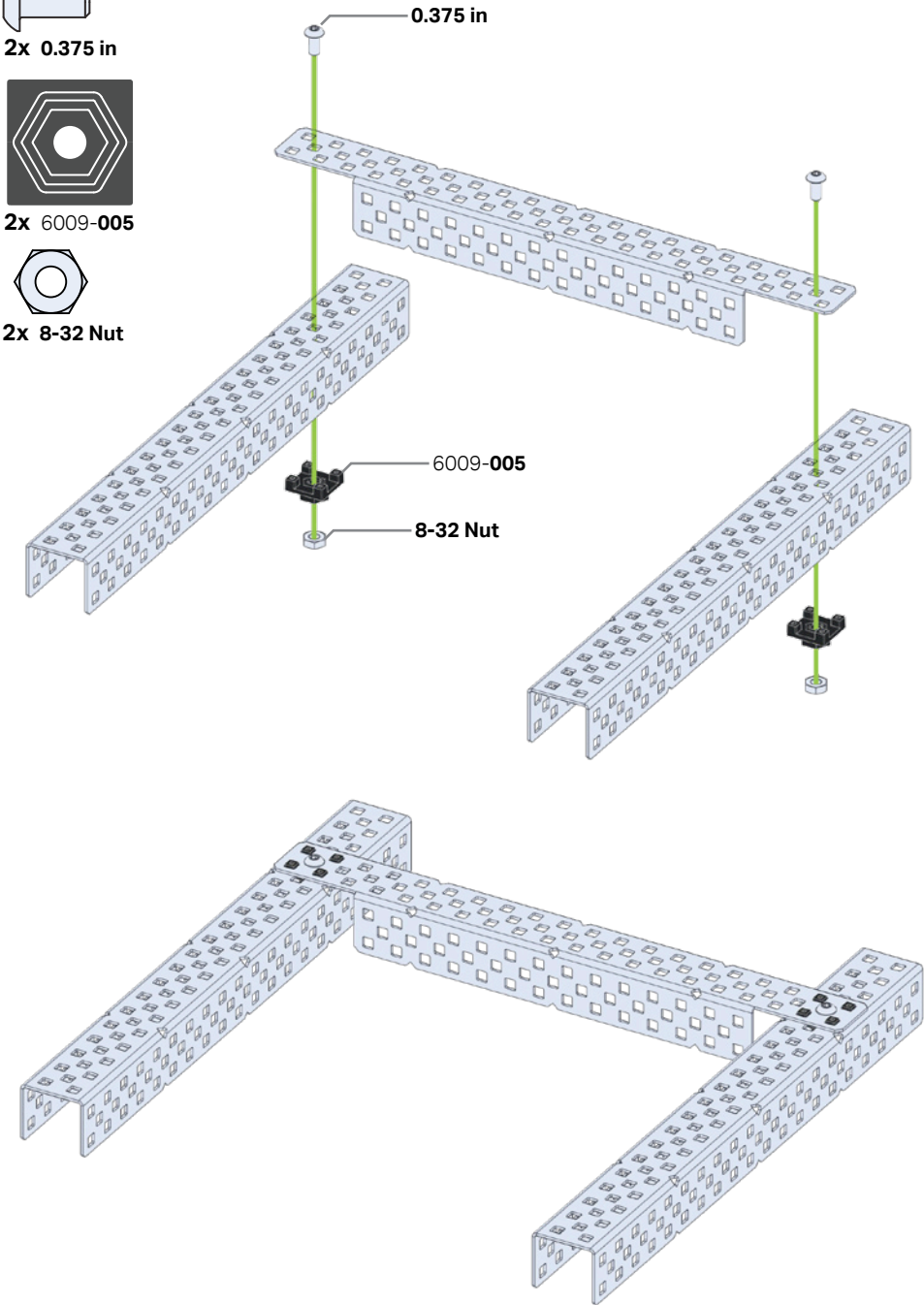
2x 0.375 in



2x 6009-005



2x 8-32 Nut



2x 0.375 in



2x 6009-005



2x 8-32 Nut

3



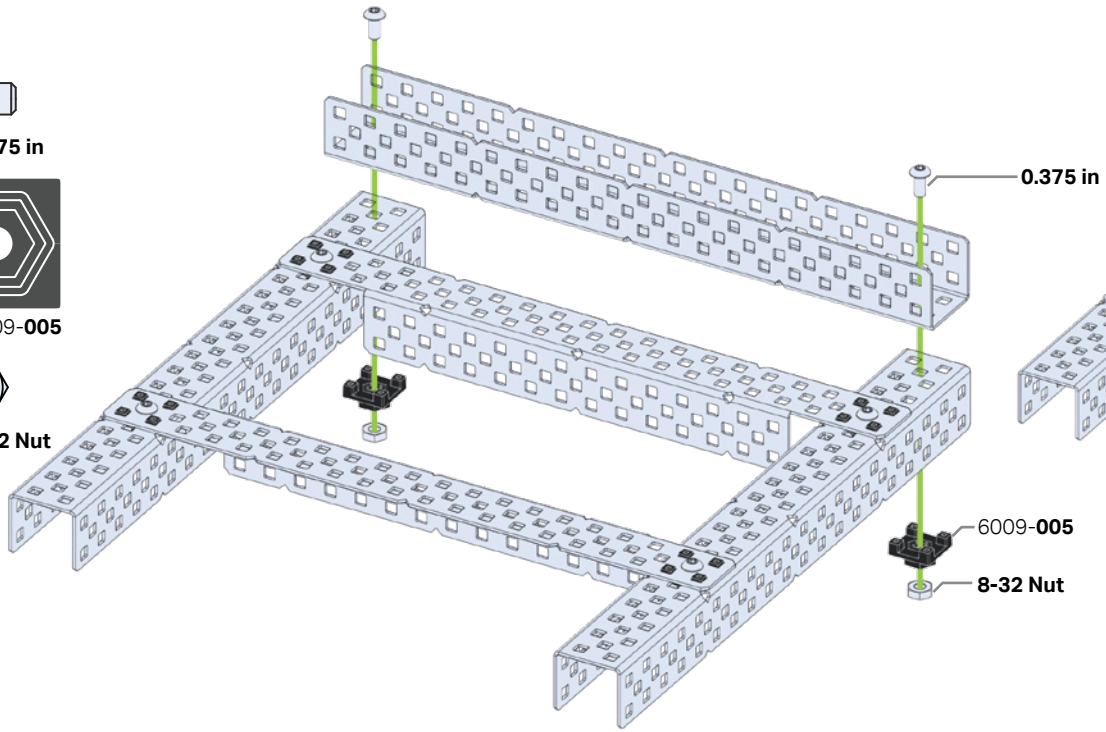
2x 0.375 in



2x 6009-005



2x 8-32 Nut



0.375 in

6009-005

8-32 Nut

4

6009-003

8-32 Nut

0.375 in



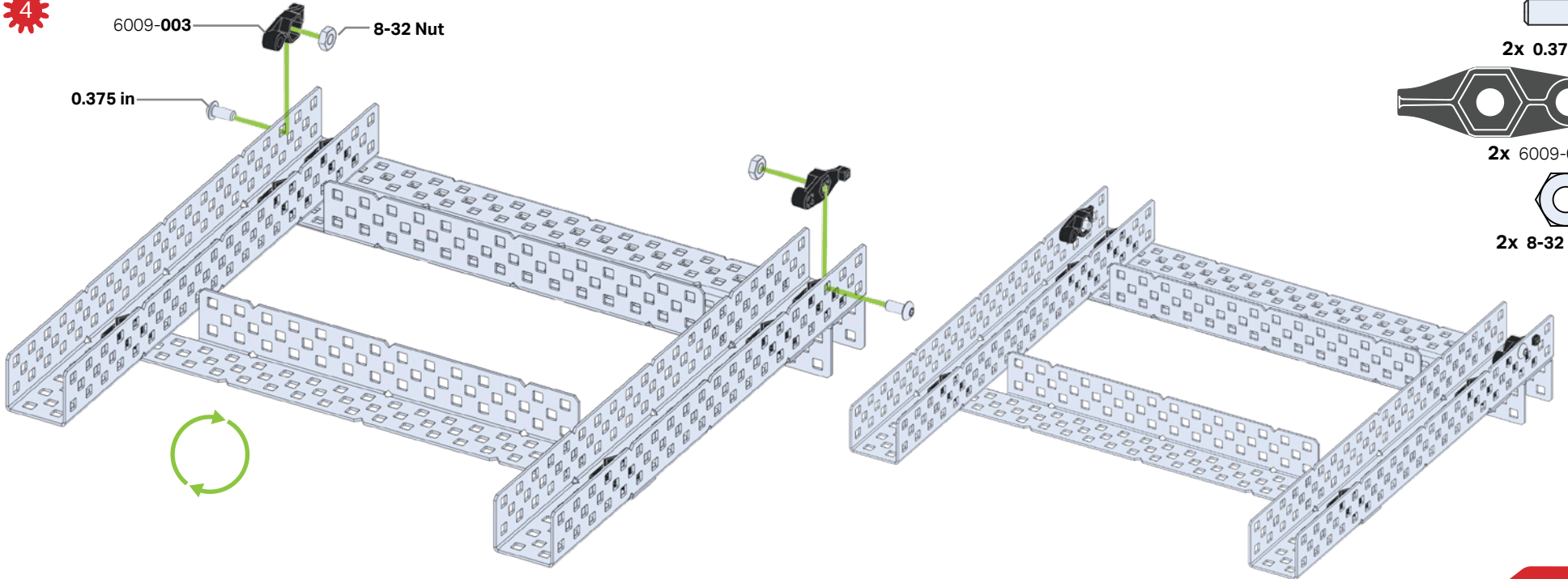
2x 0.375 in



2x 6009-003



2x 8-32 Nut



5



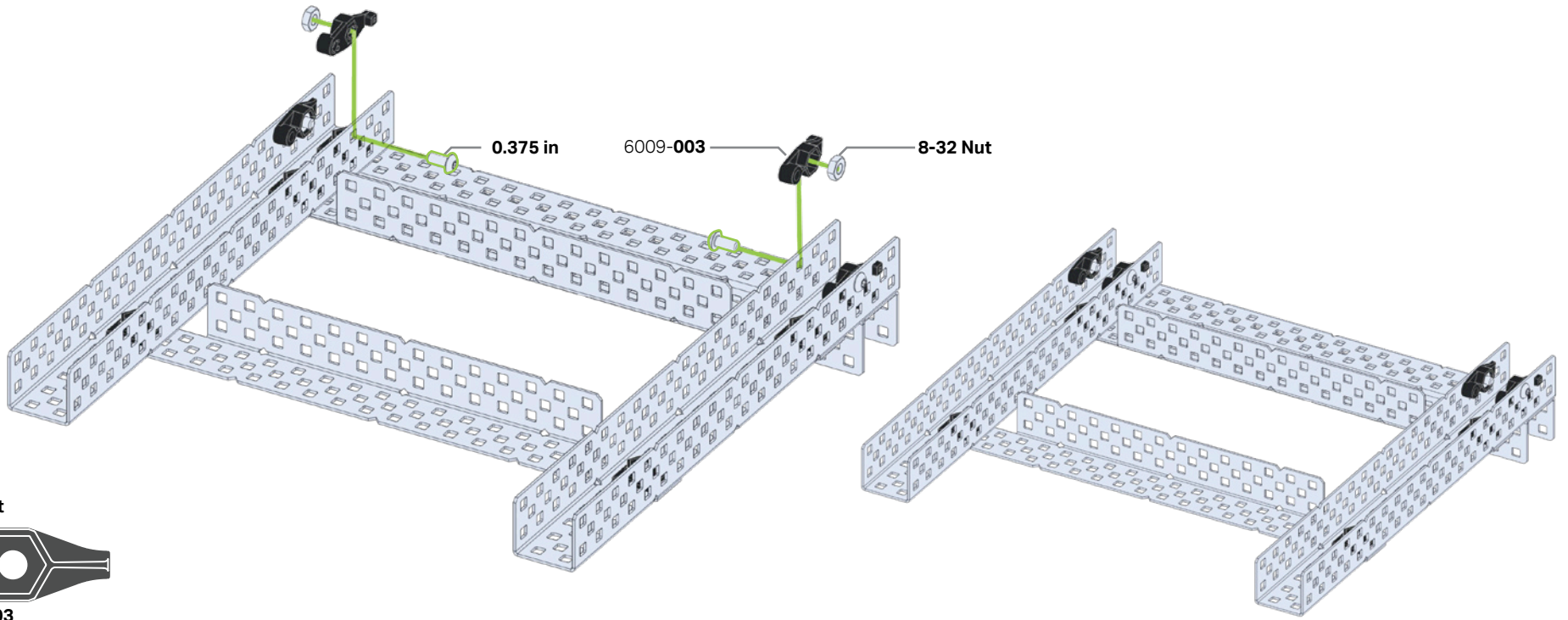
2x 0.375 in



2x 8-32 Nut



2x 6009-003



6

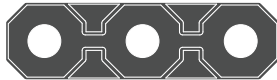
2X 2500-143

2500-124

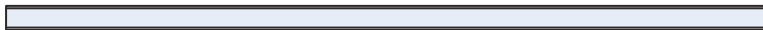
1209-001



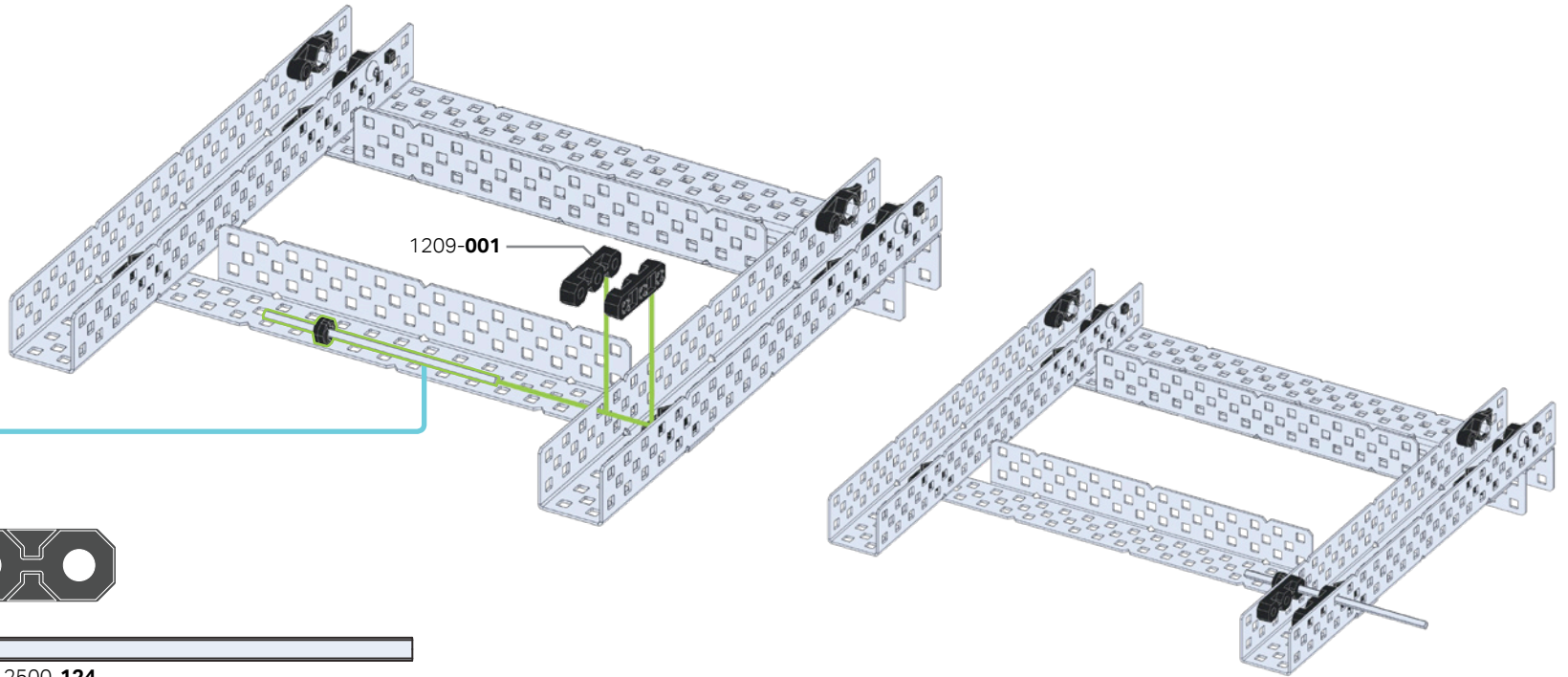
2x 2500-143

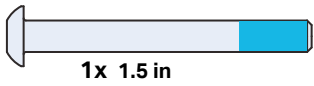
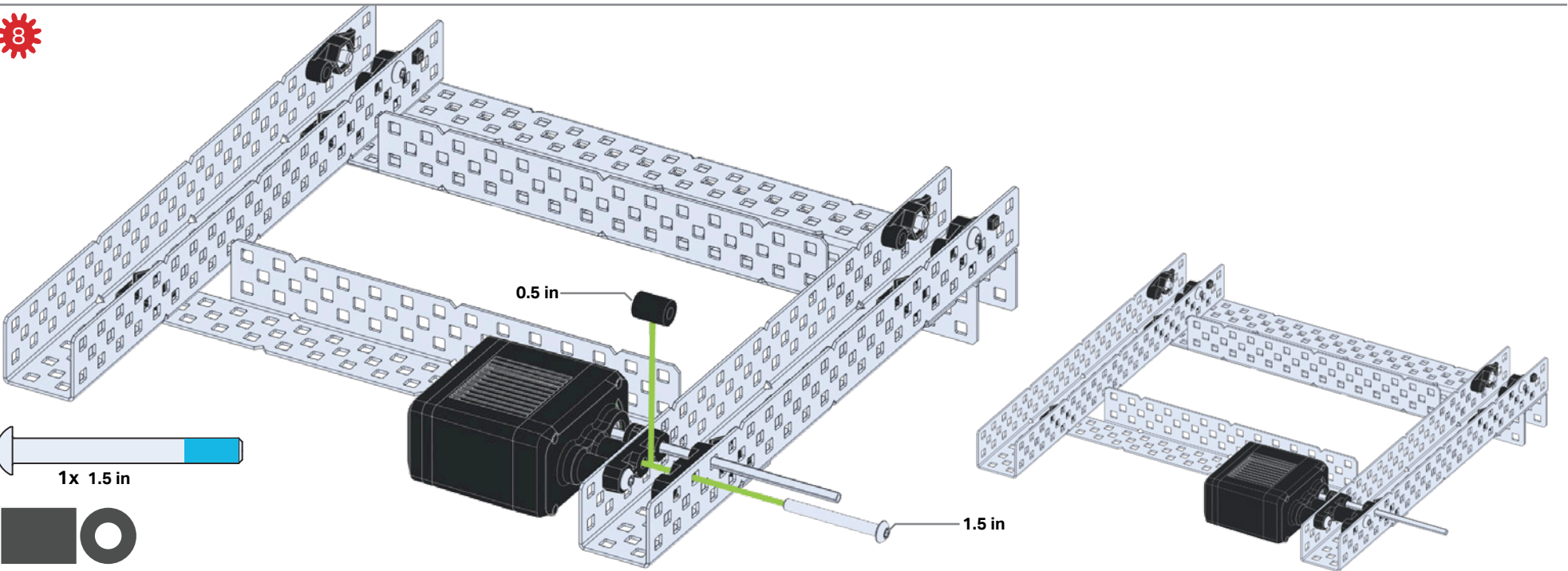
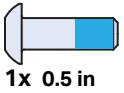
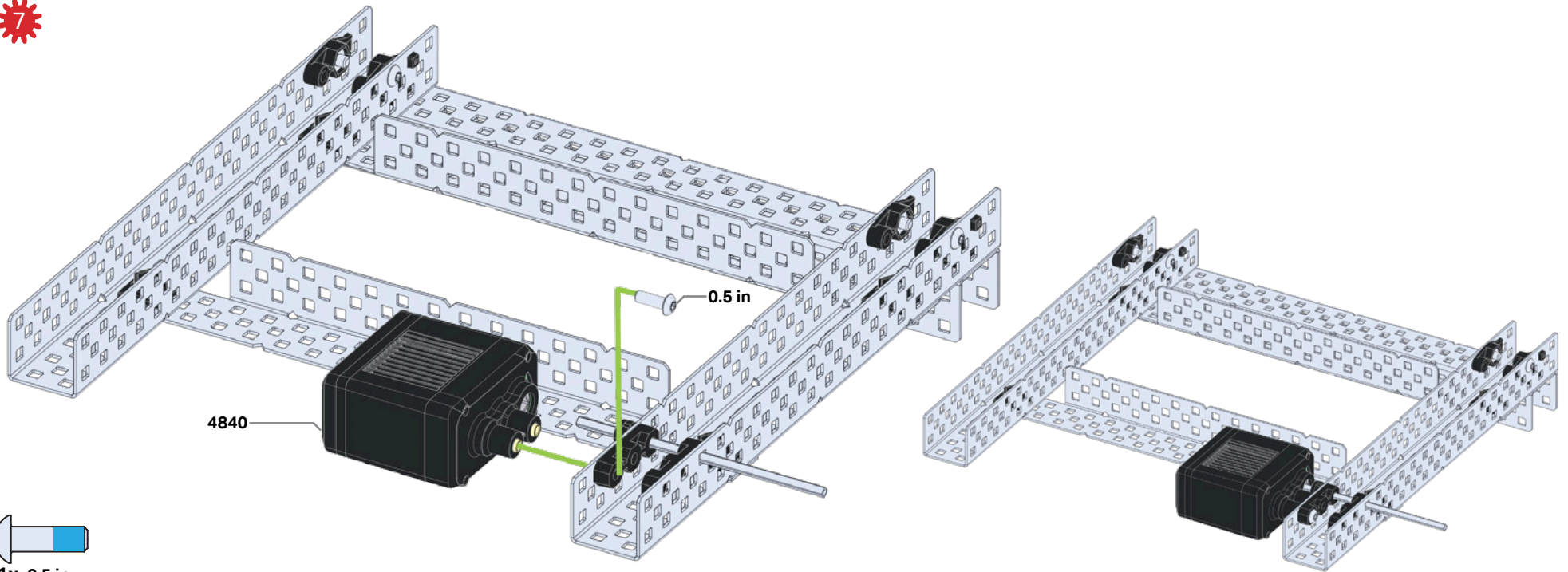


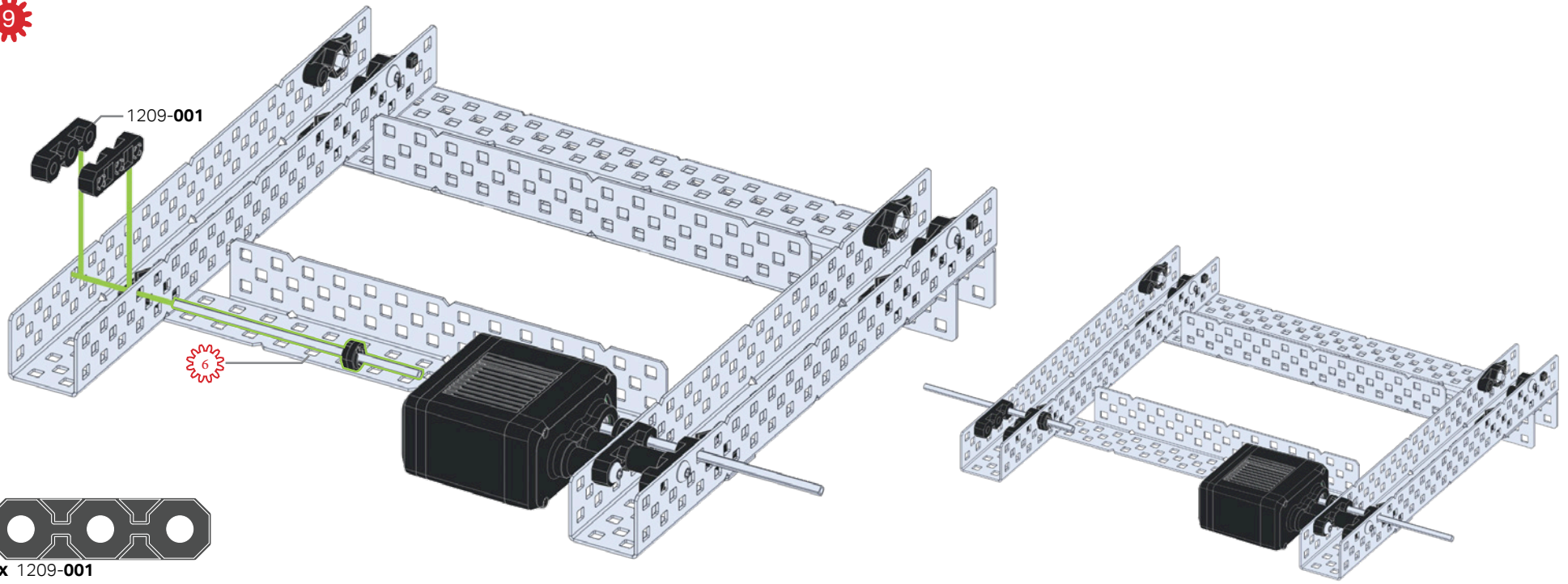
2x 1209-001



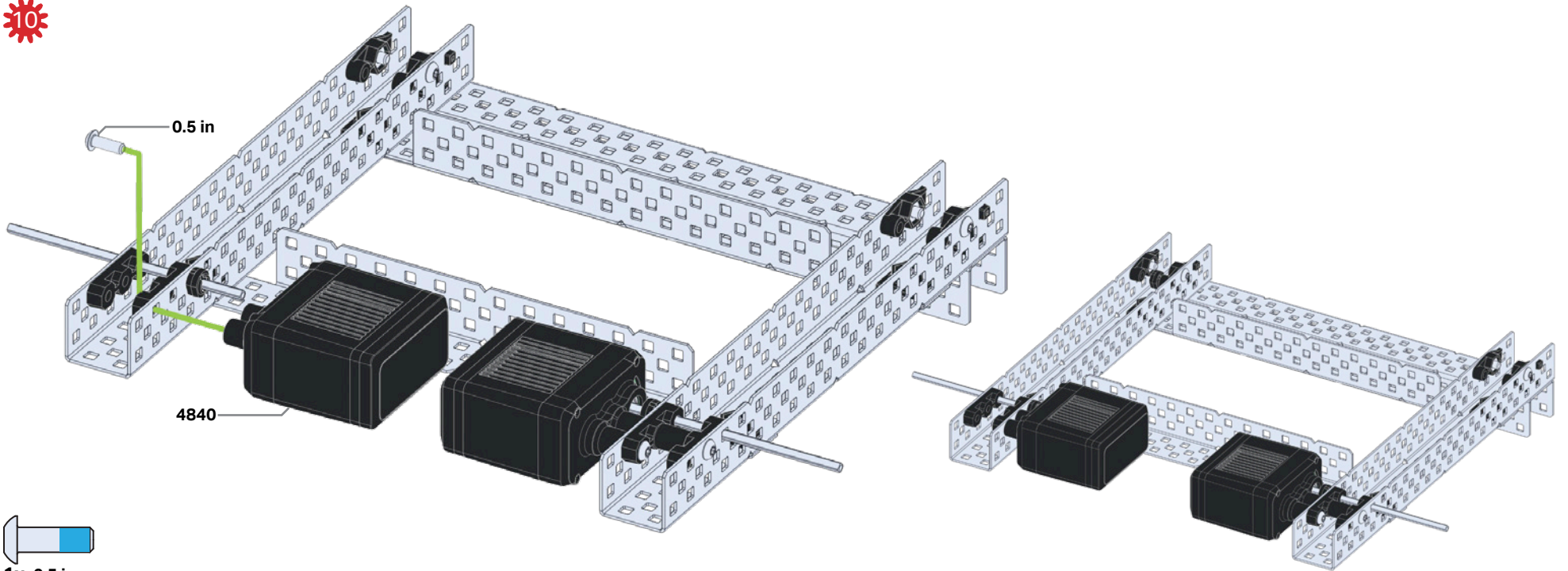
2x 2500-124



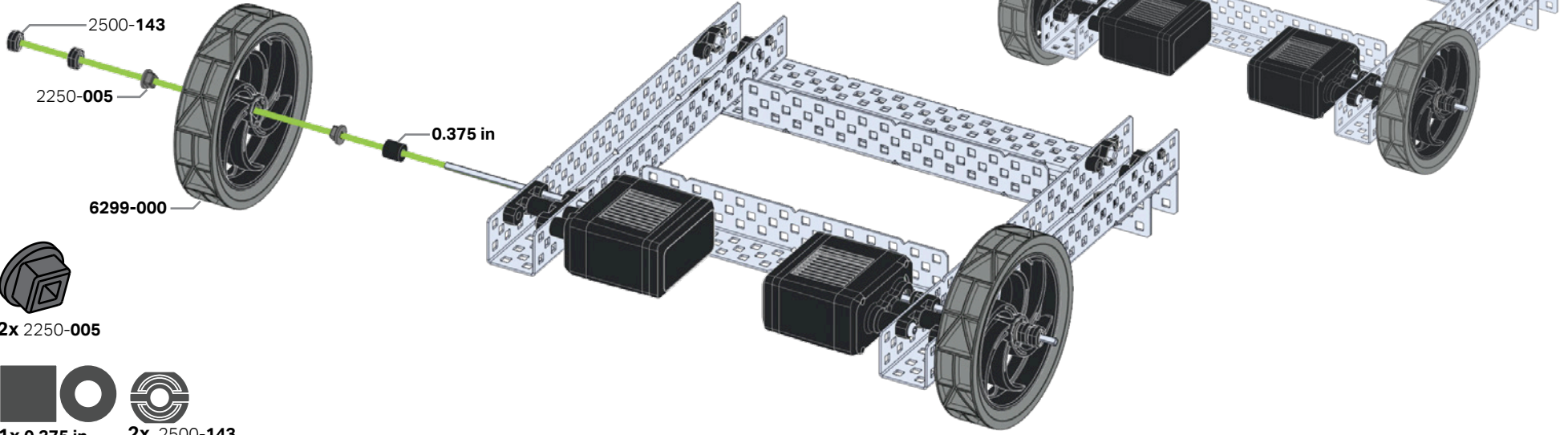




2x 1209-001



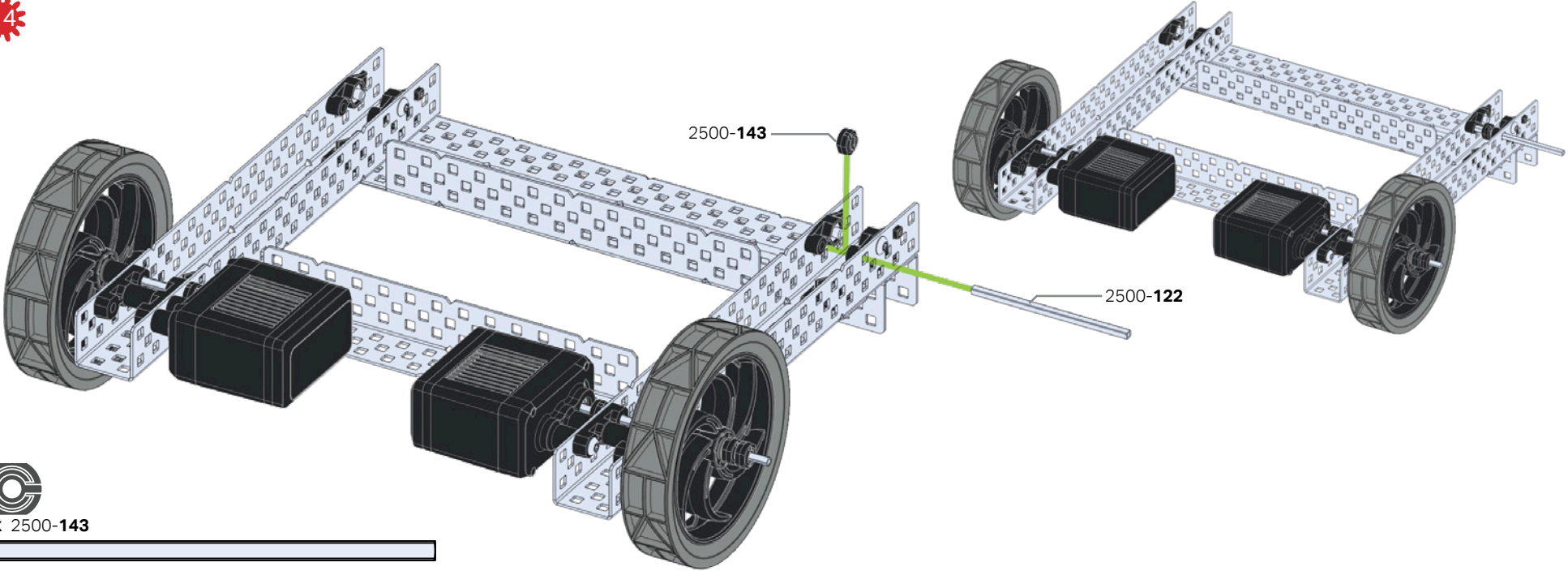
1x 0.5 in



2x 2250-005



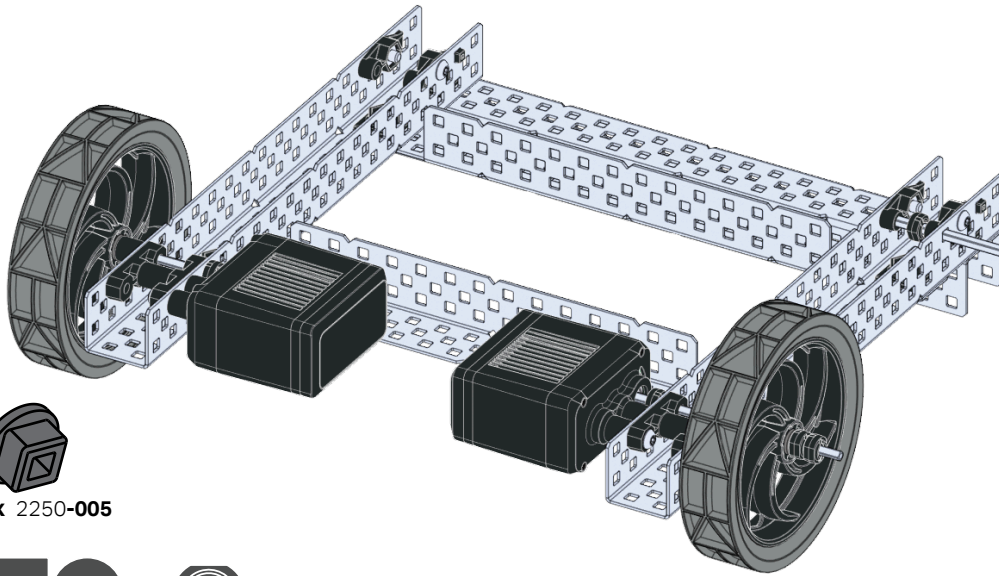
1x 0.375 in 2x 2500-143



1x 2500-143



1x 2500-122



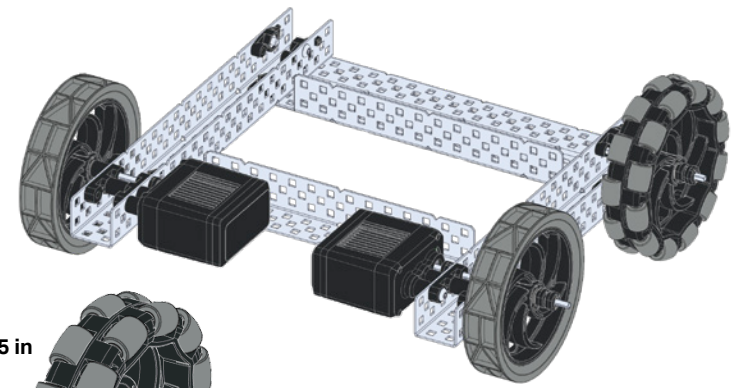
2x 2250-005



1x 0.375 in



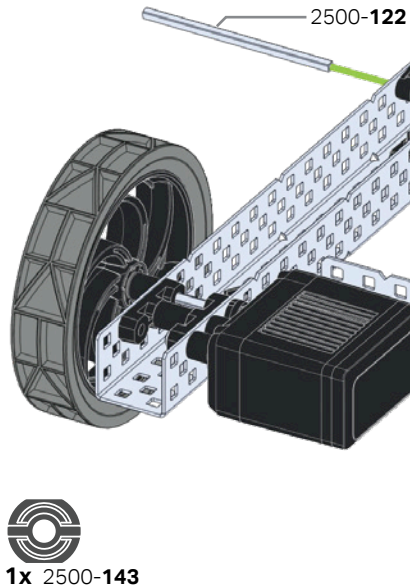
2x 2500-143



0.375 in
2250-005

6298-000

2500-143



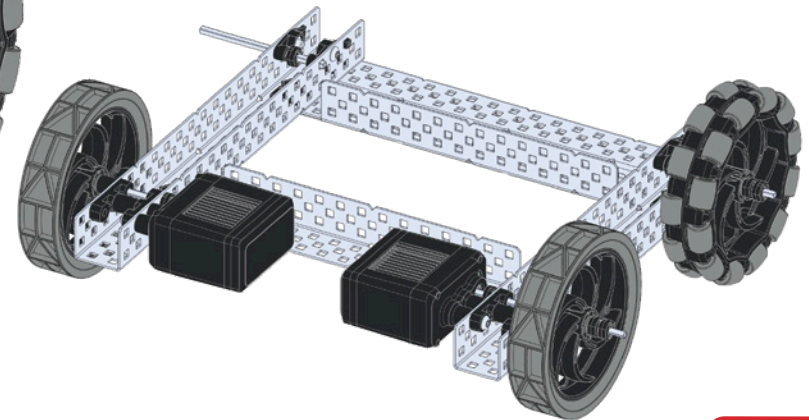
2500-143

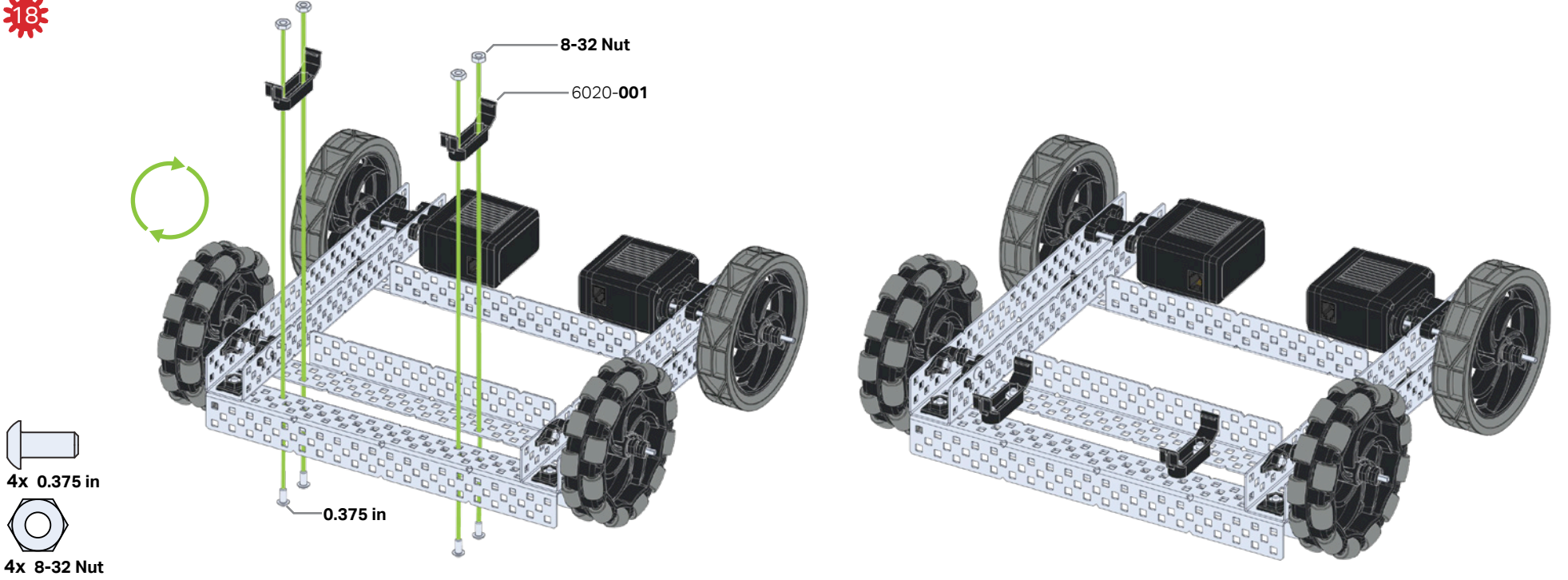
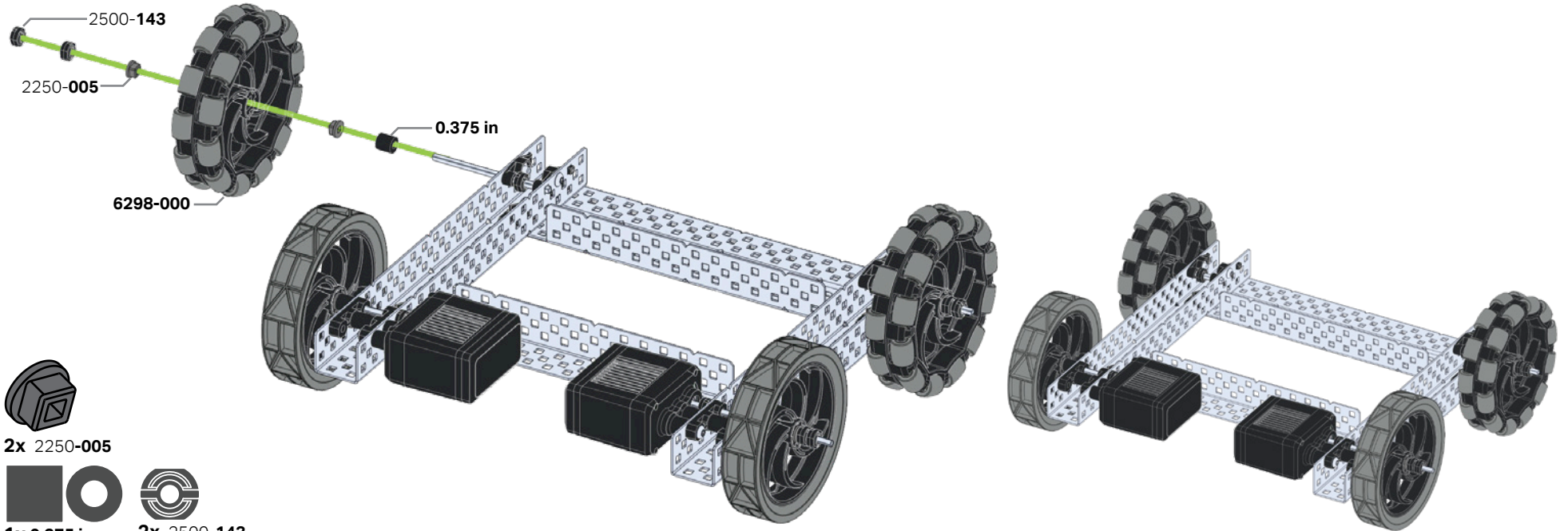
2500-122



1x 2500-143

1x 2500-122

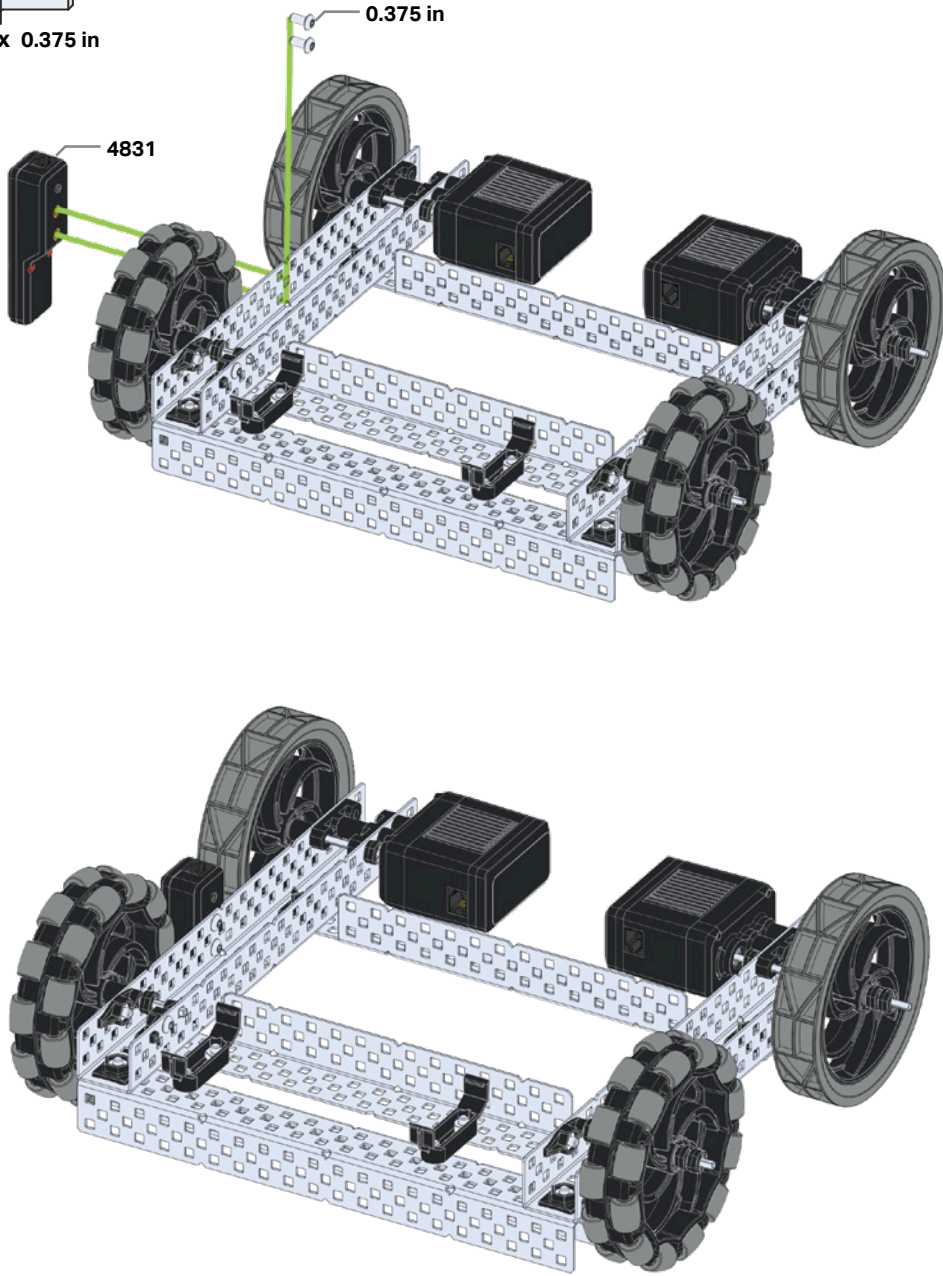




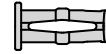
19



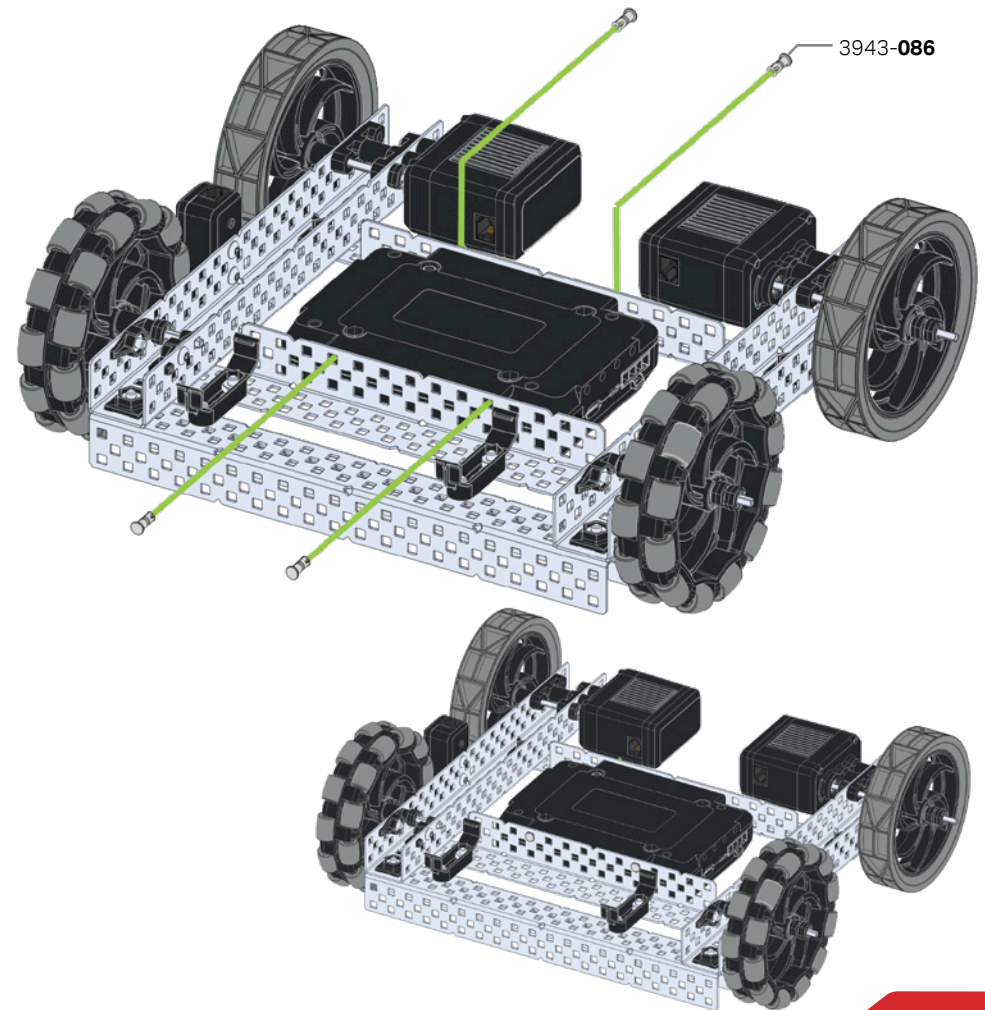
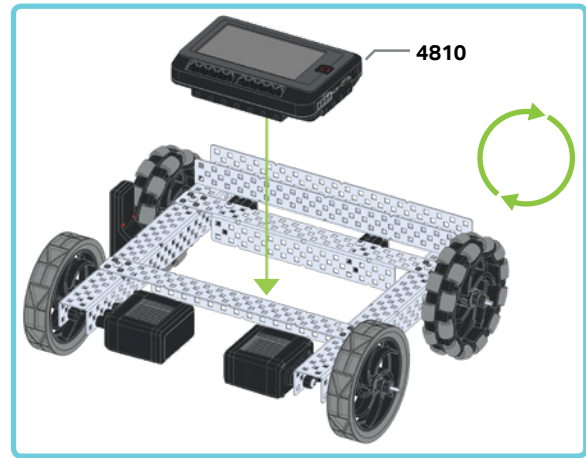
2x 0.375 in

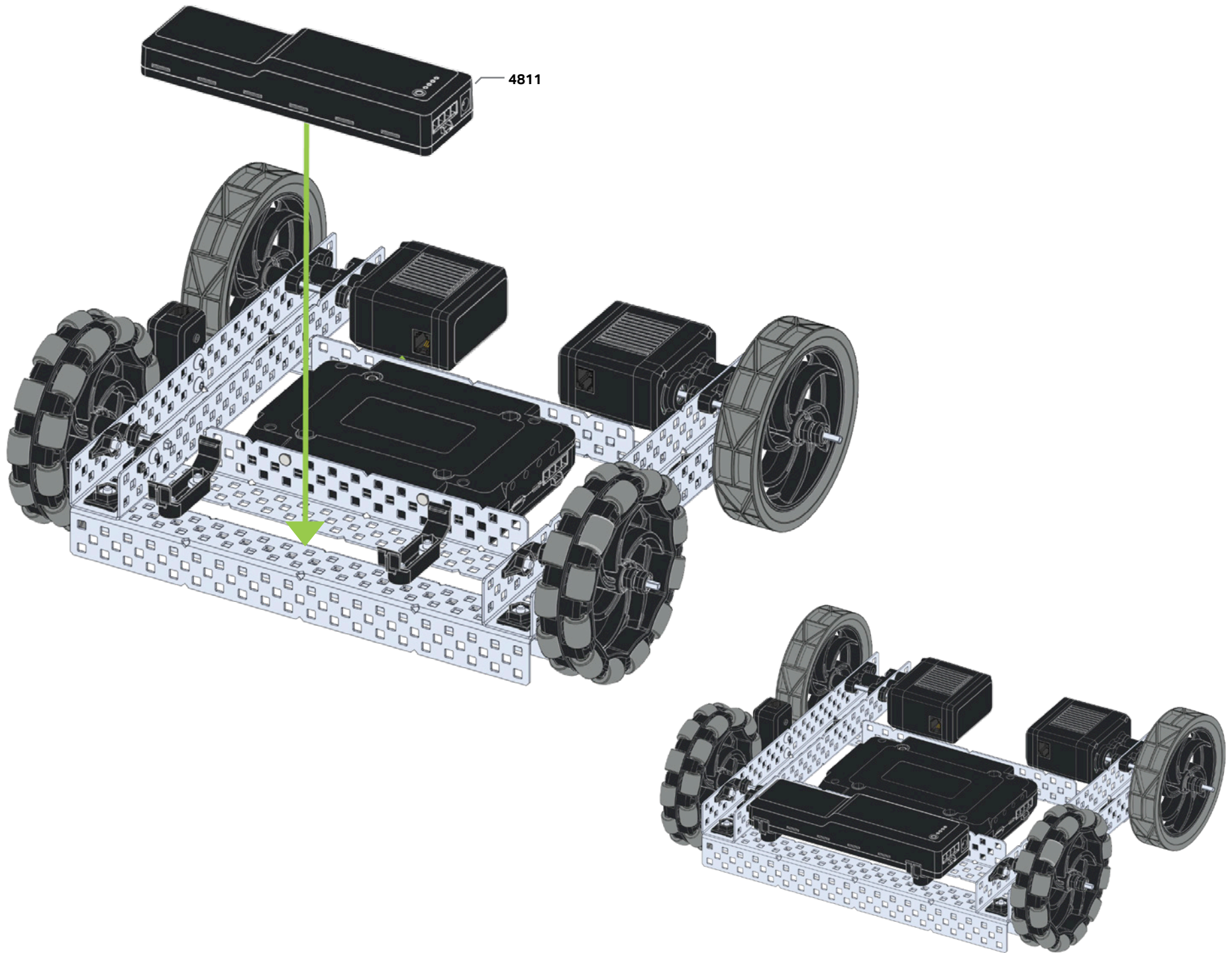


20

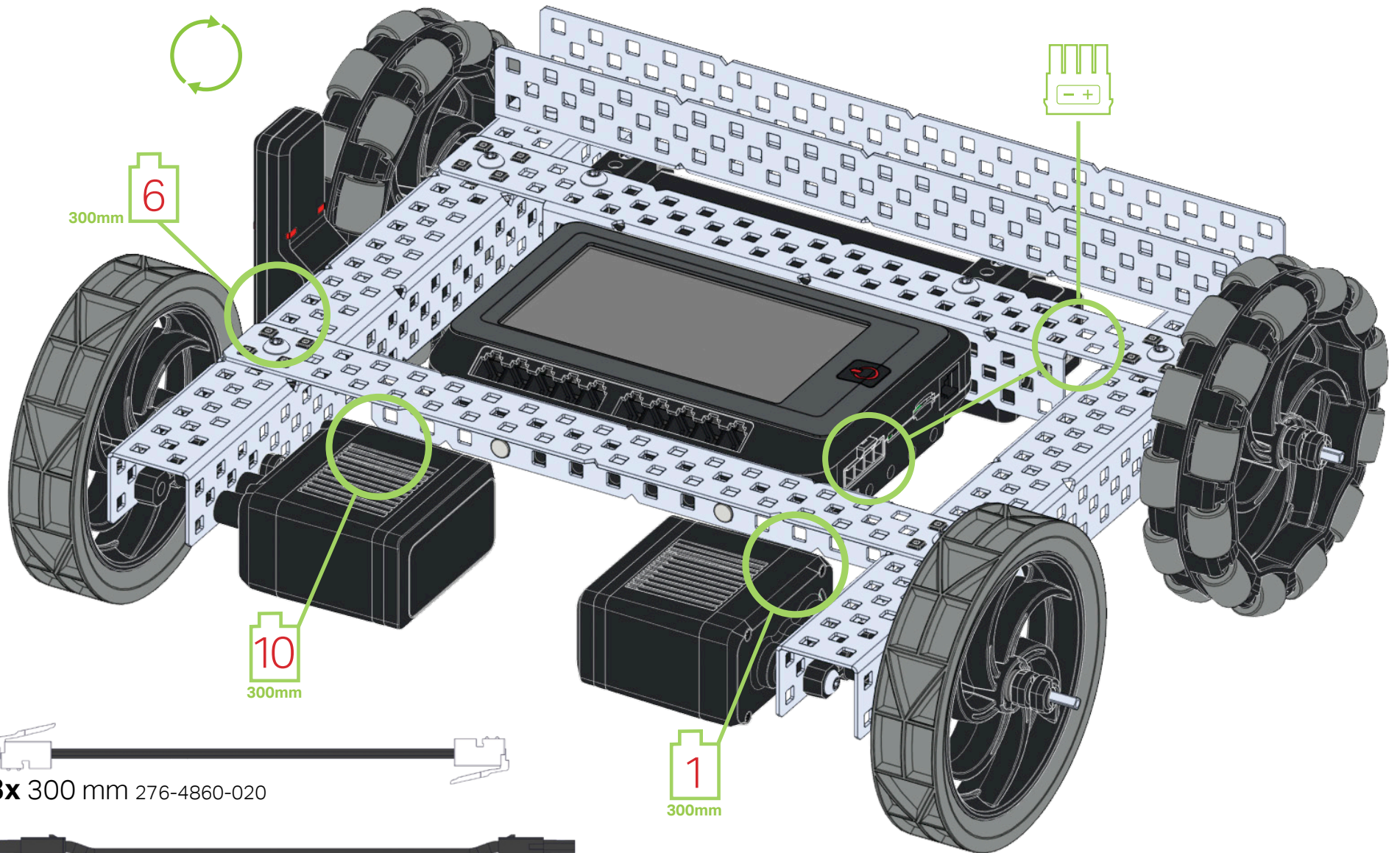


4x 3943-086





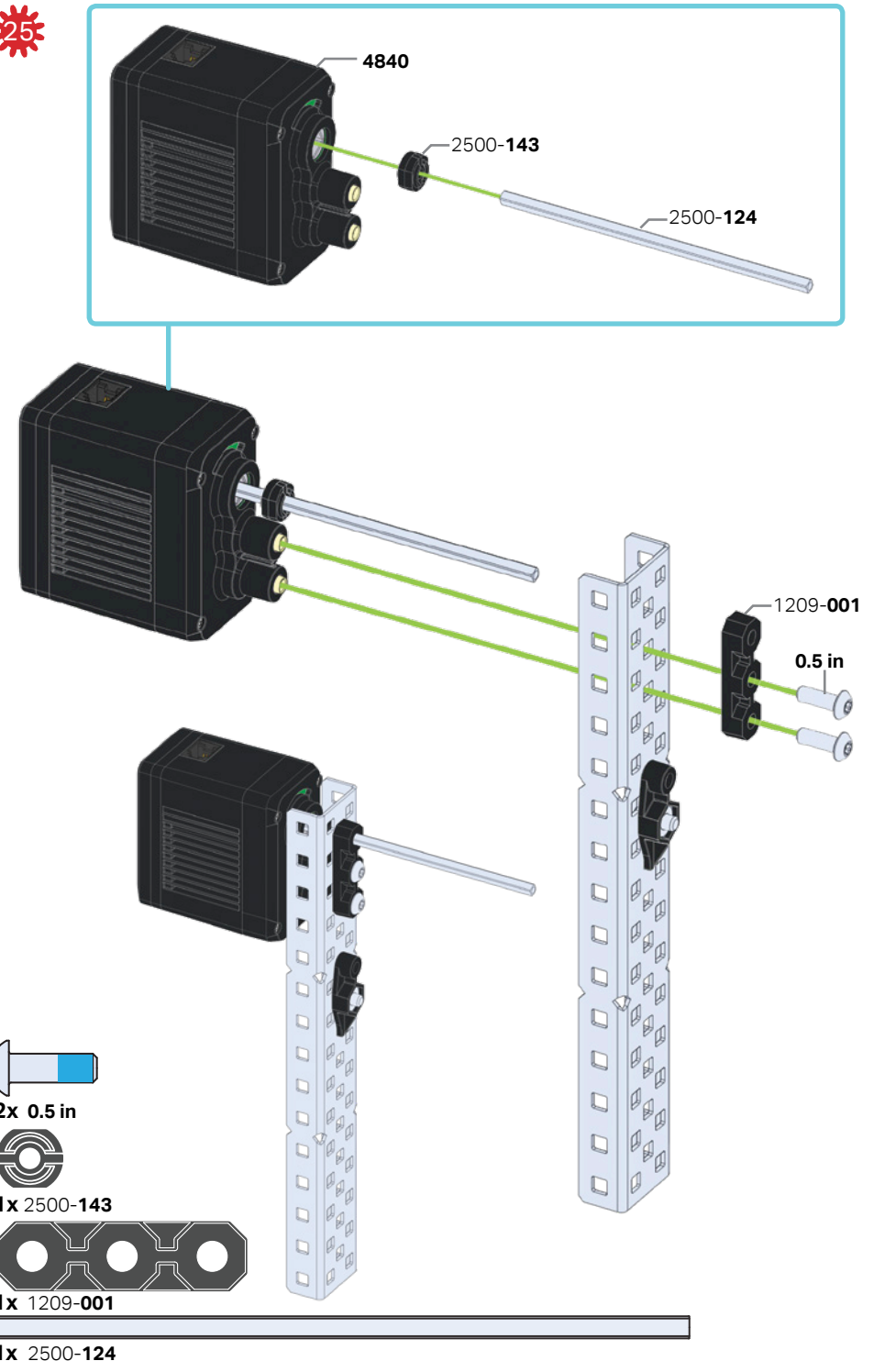
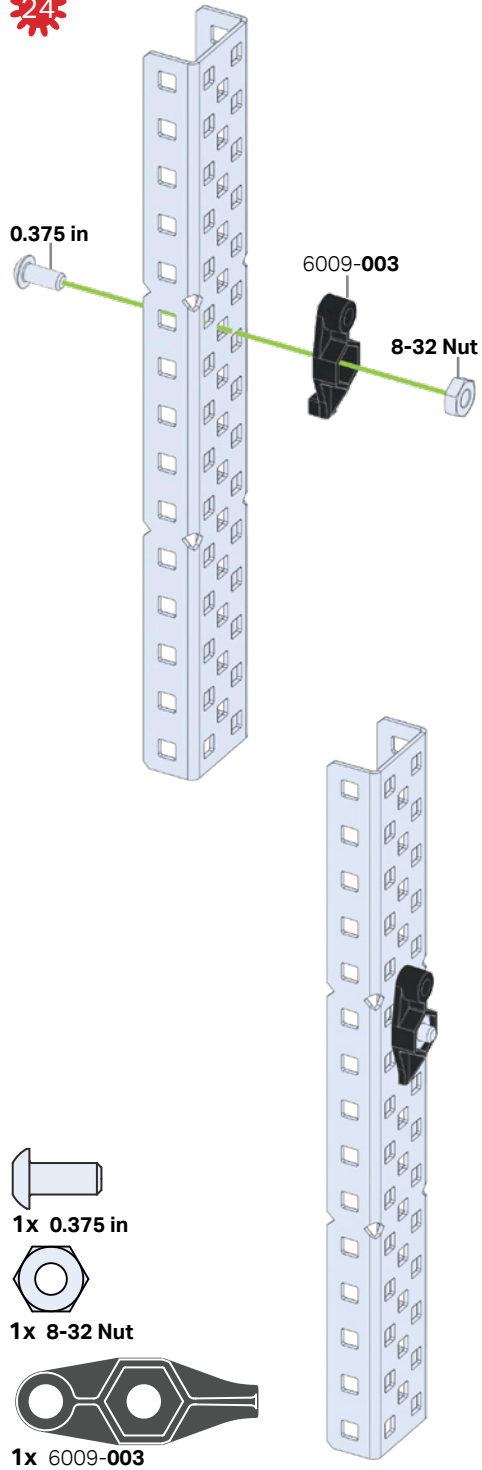
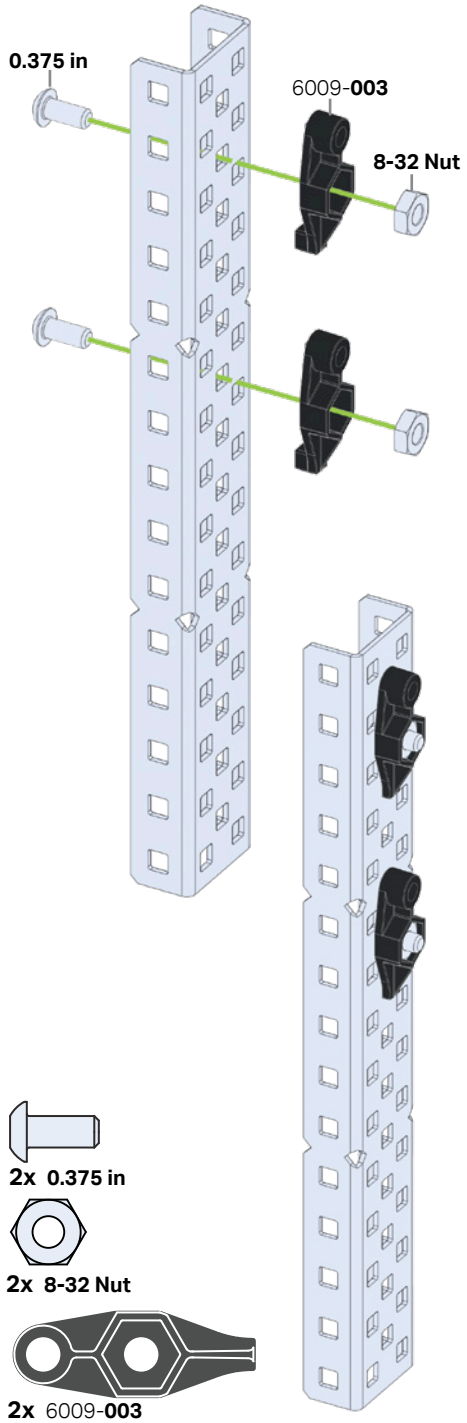
4811

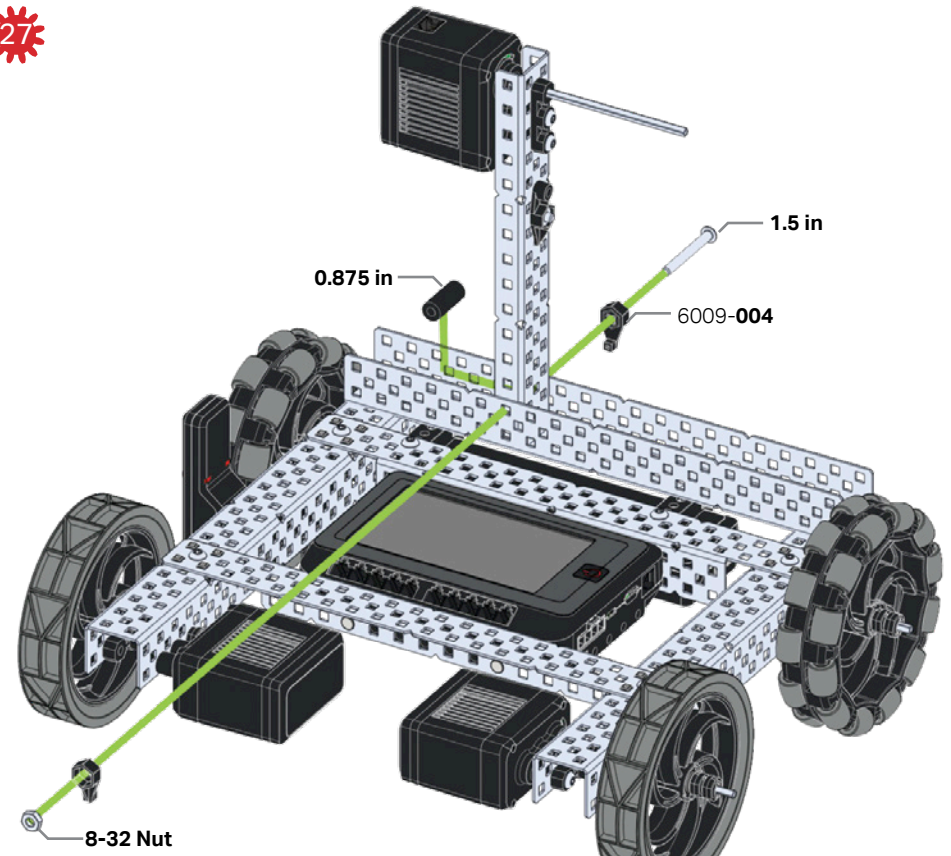
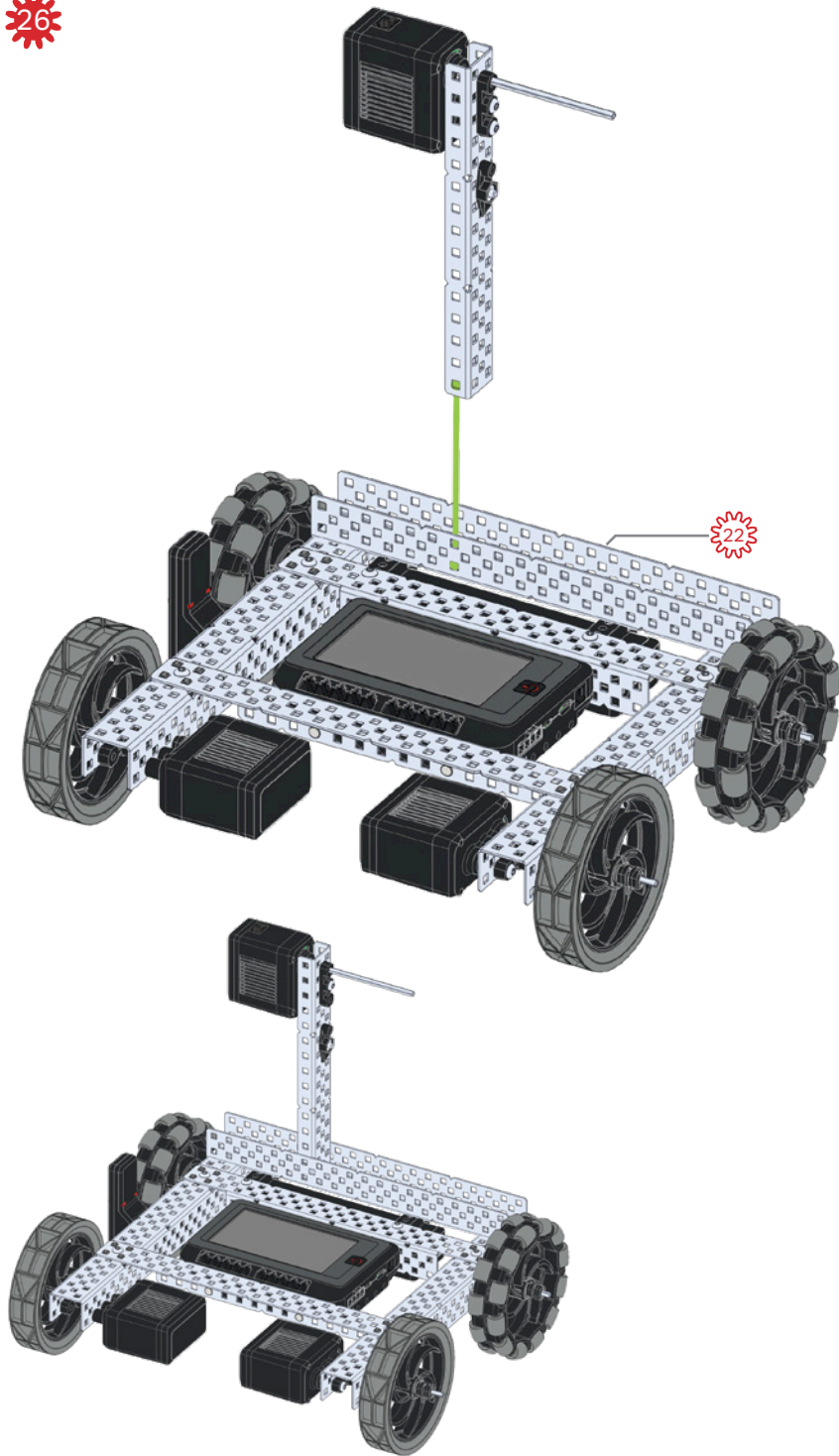


3x 300 mm 276-4860-020



1x 180 mm 276-4817-100





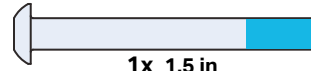
1x 8-32 Nut



2x 6009-004



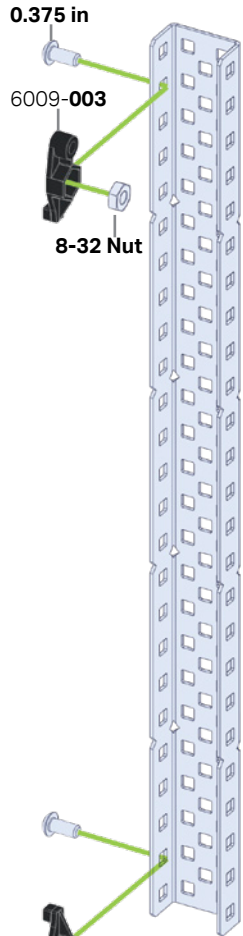
1x 0.875






1x 1.5 in



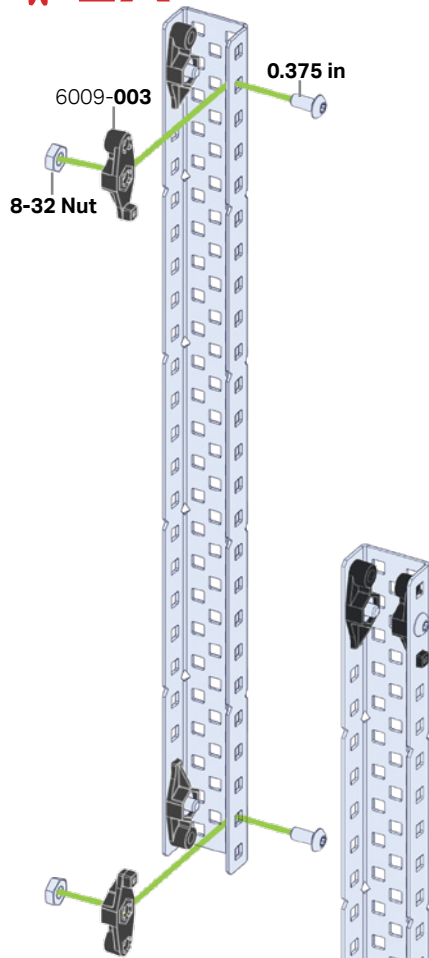
28 2X






-  4x 0.375 in
-  4x 8-32 Nut
-  4x 6009-003



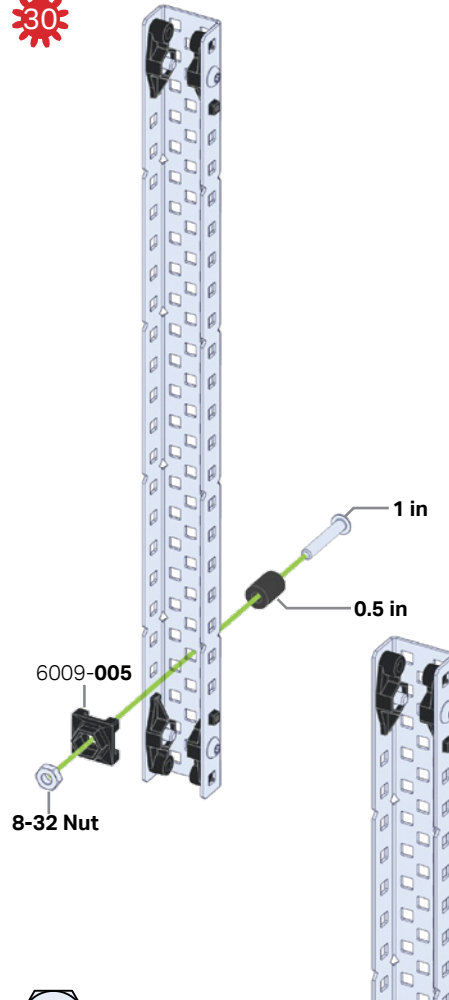
29 2X







-  4x 0.375 in
-  4x 8-32 Nut
-  4x 6009-003



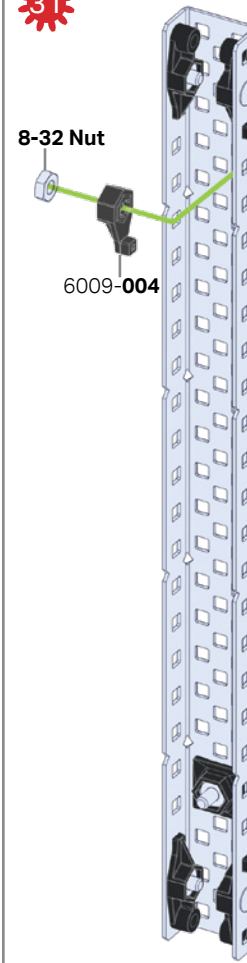
30



-  1x 8-32 Nut
-  1x 0.5 in
-  1x 6009-005
-  1x 1 in

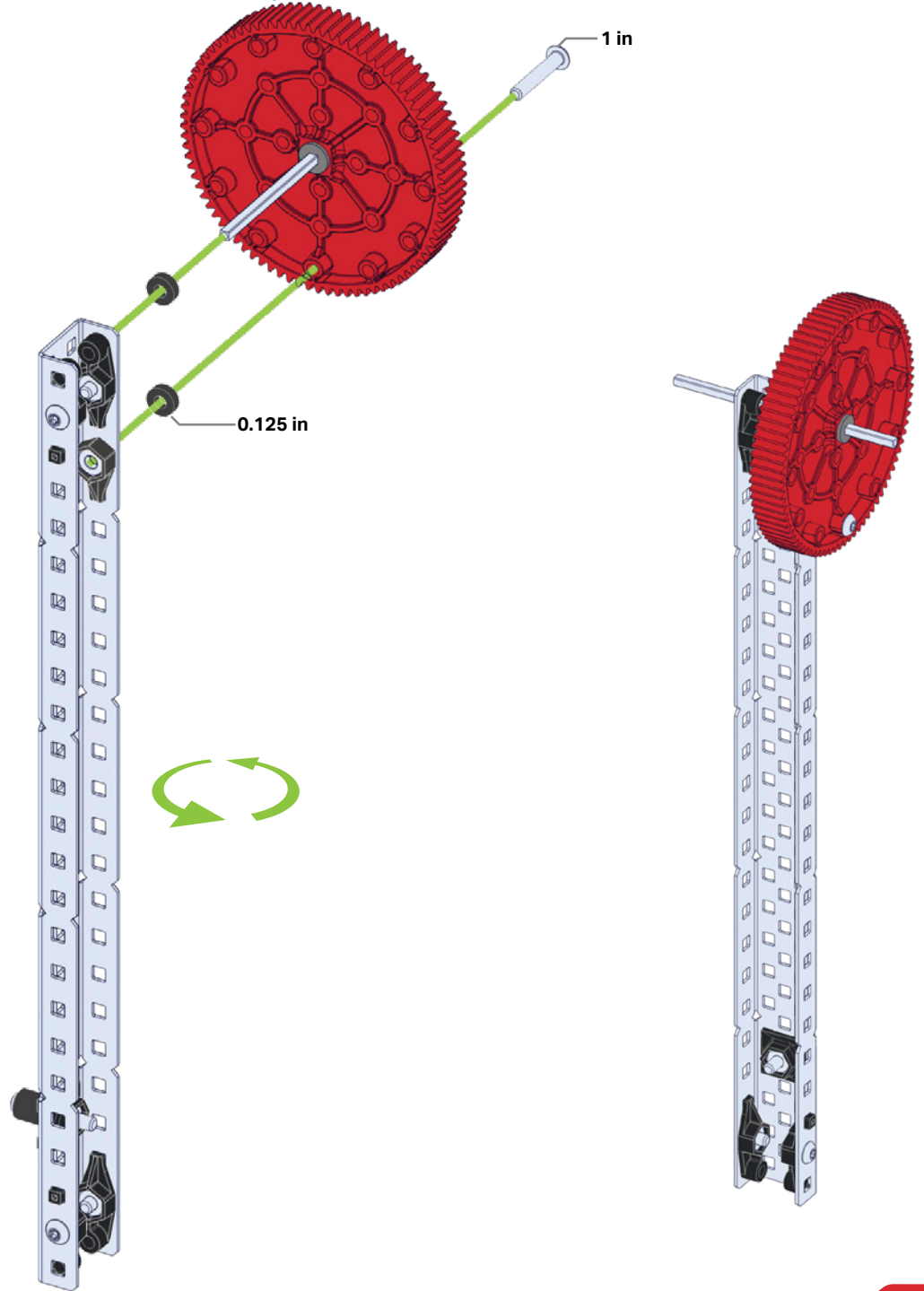
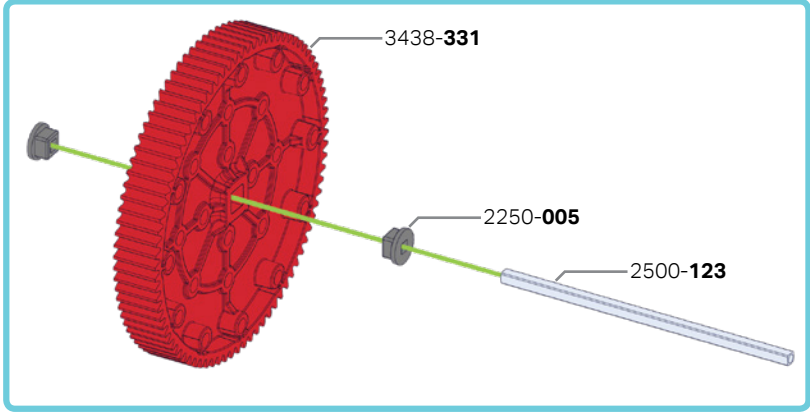


31



-  1x 8-32 Nut
-  1x 6009-004





10

2x 0.125 in



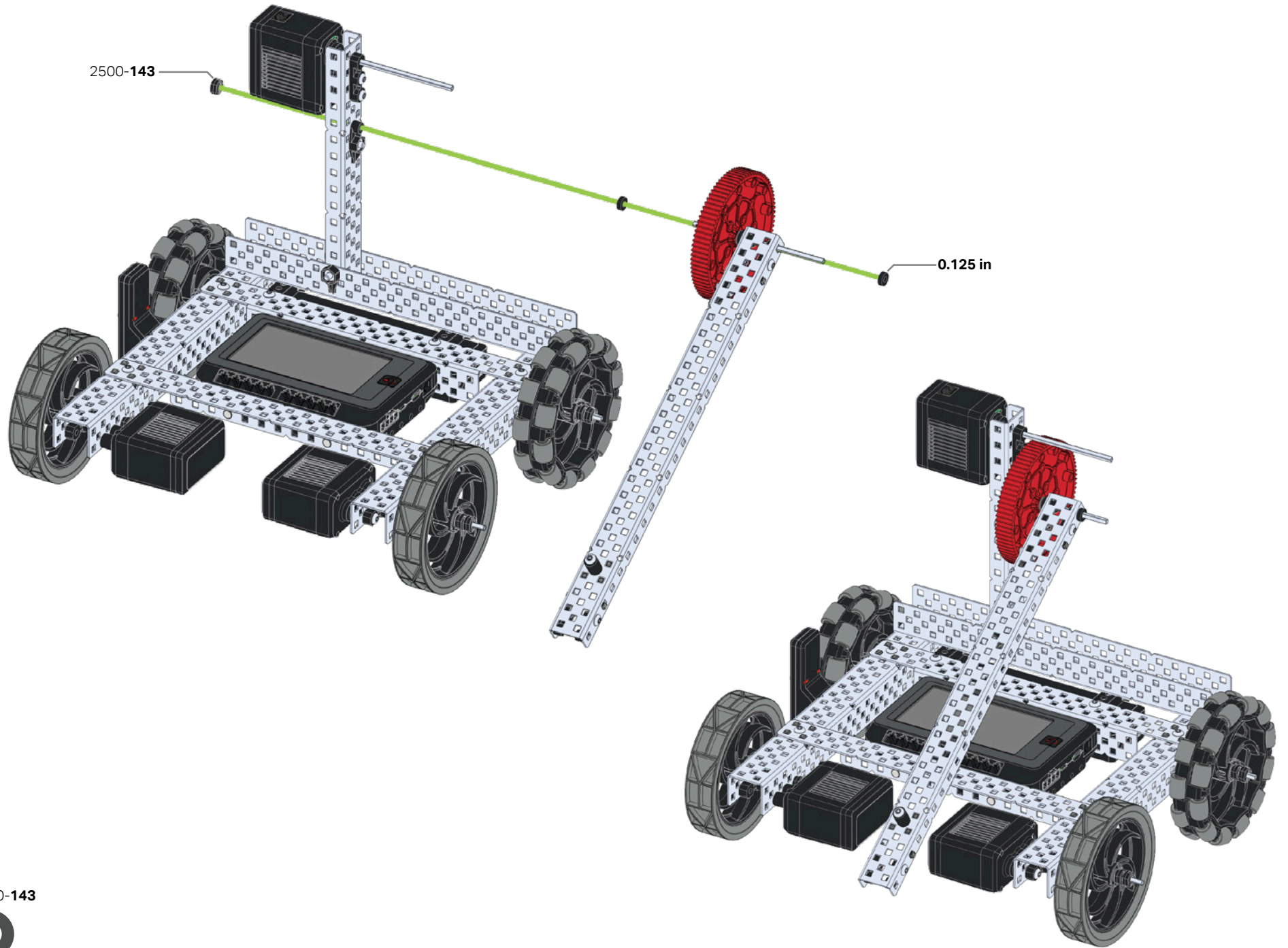
2x 2250-005



1x 1 in



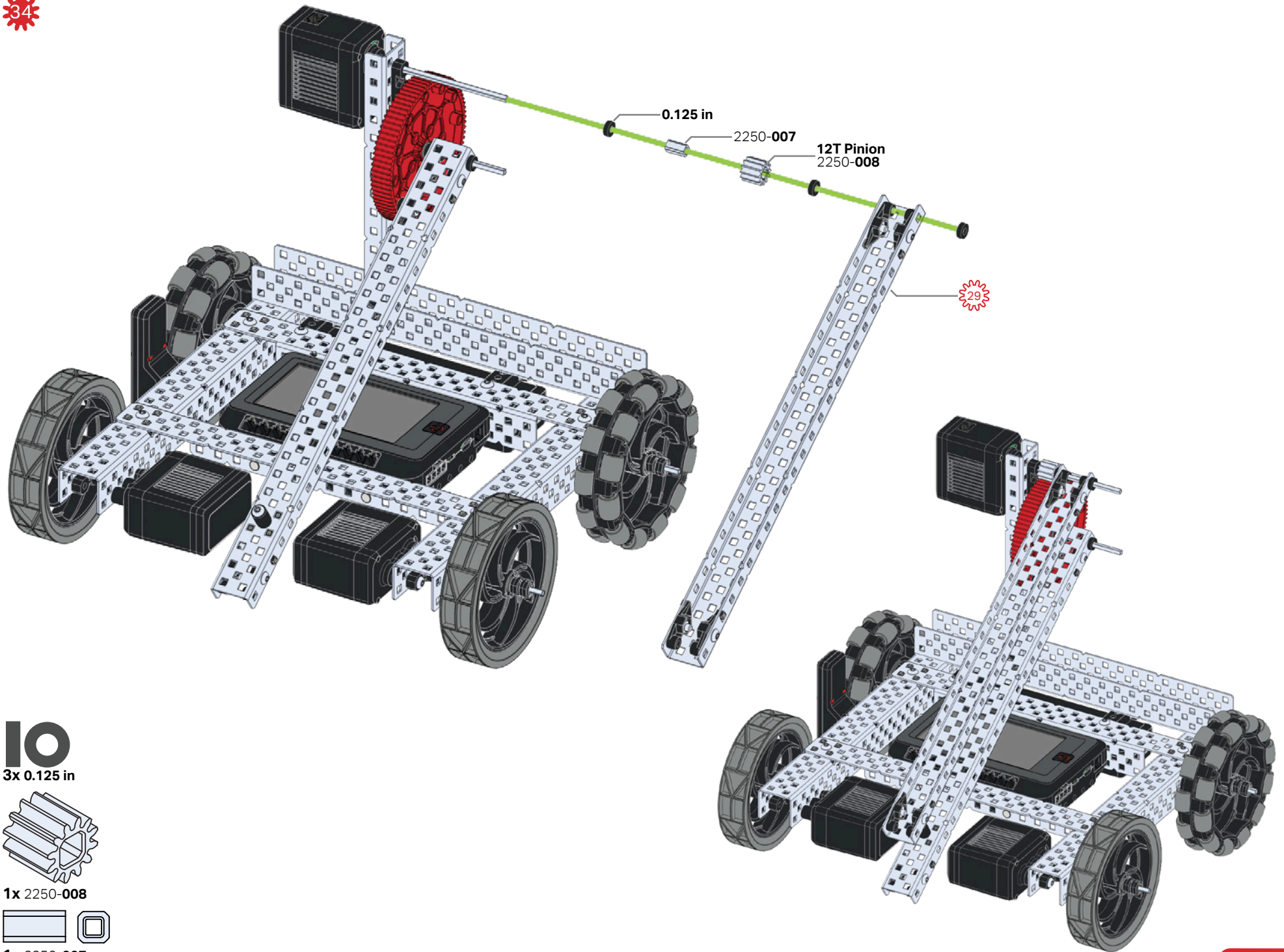
1x 2500-123



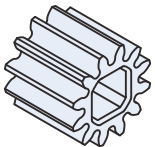
1x 2500-143



2x 0.125 in



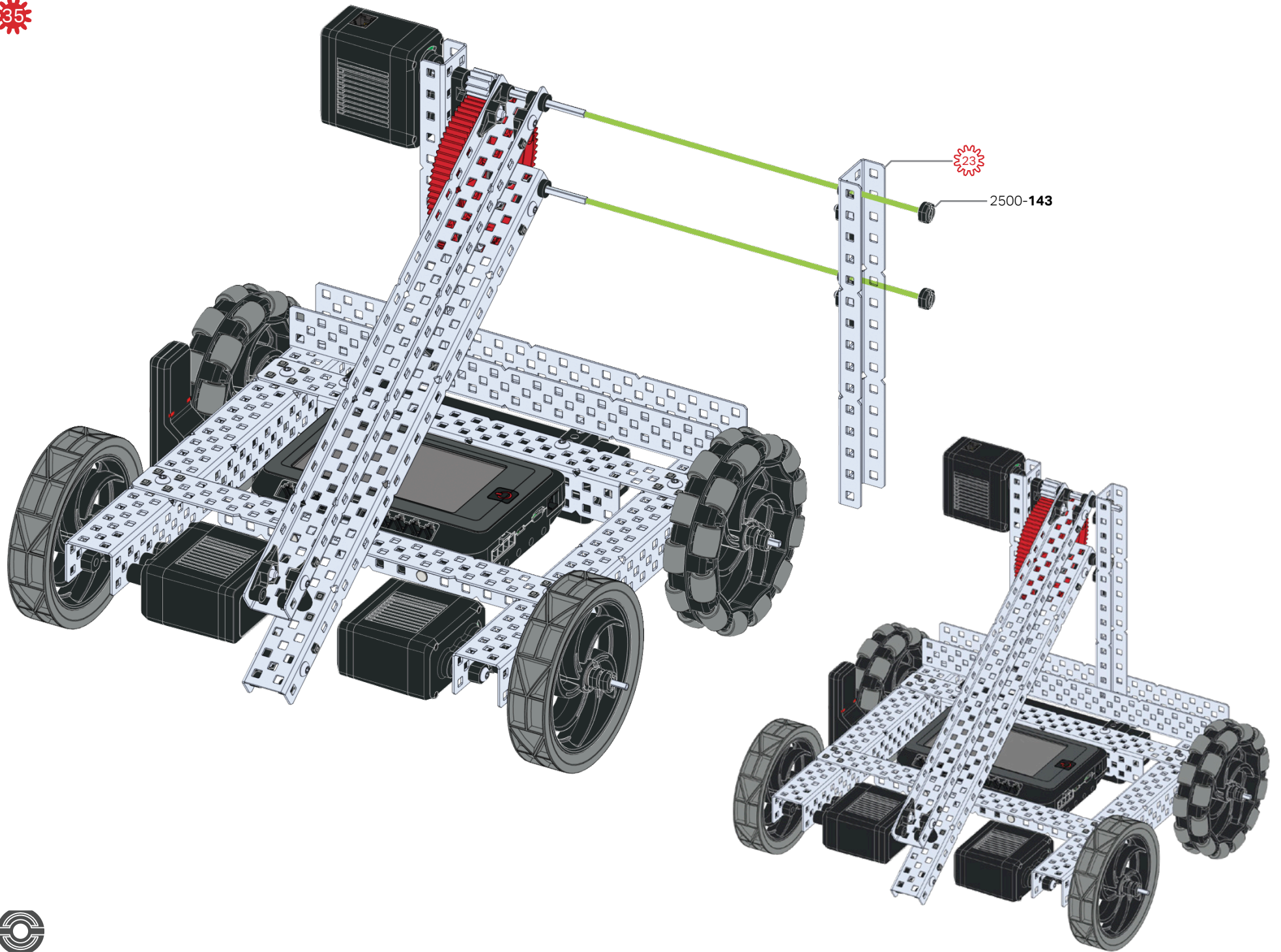
10
3x 0.125 in



1x 2250-008



1x 2250-007

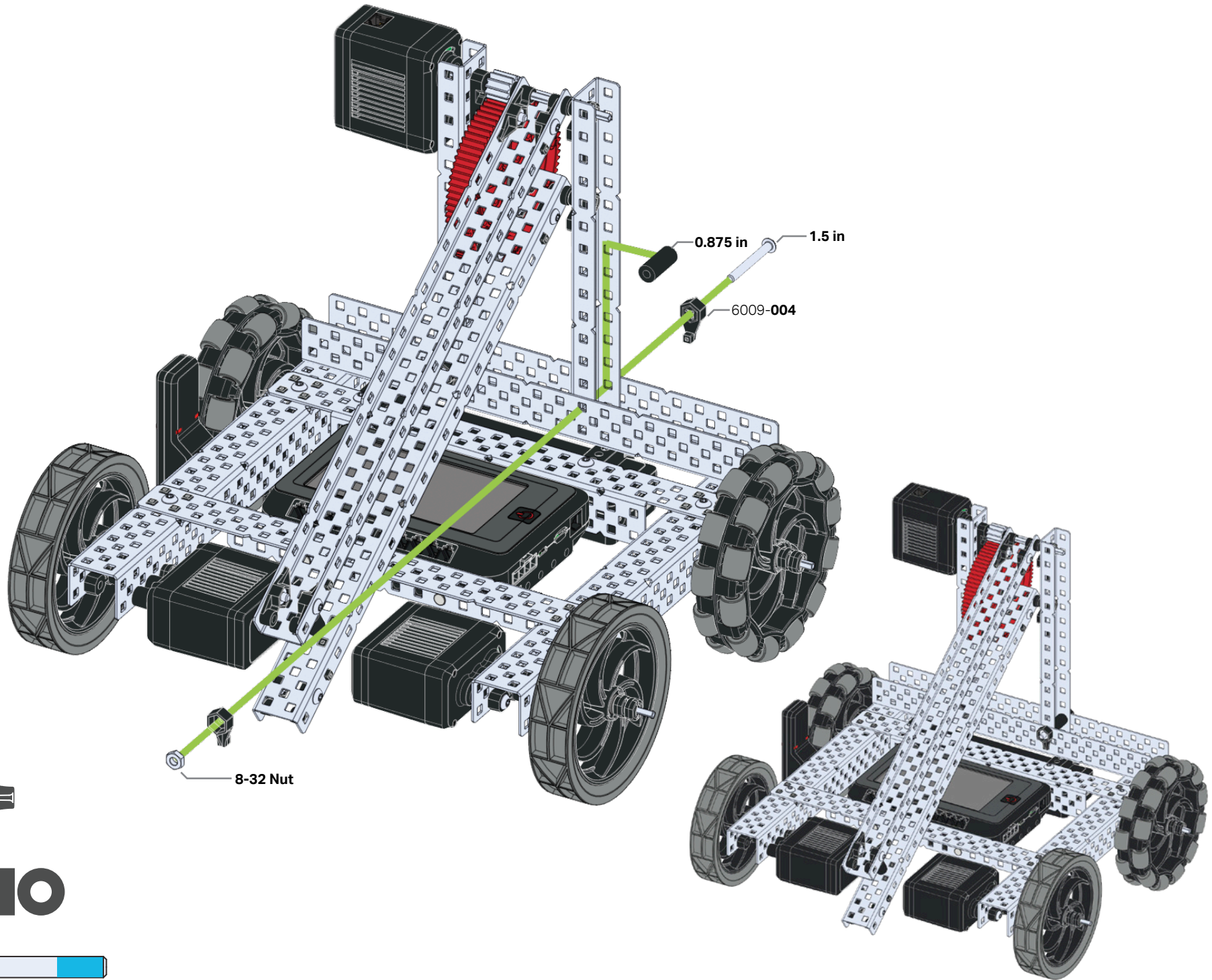


23

2500-143



2x 2500-143



1x 8-32 Nut



2x 6009-004

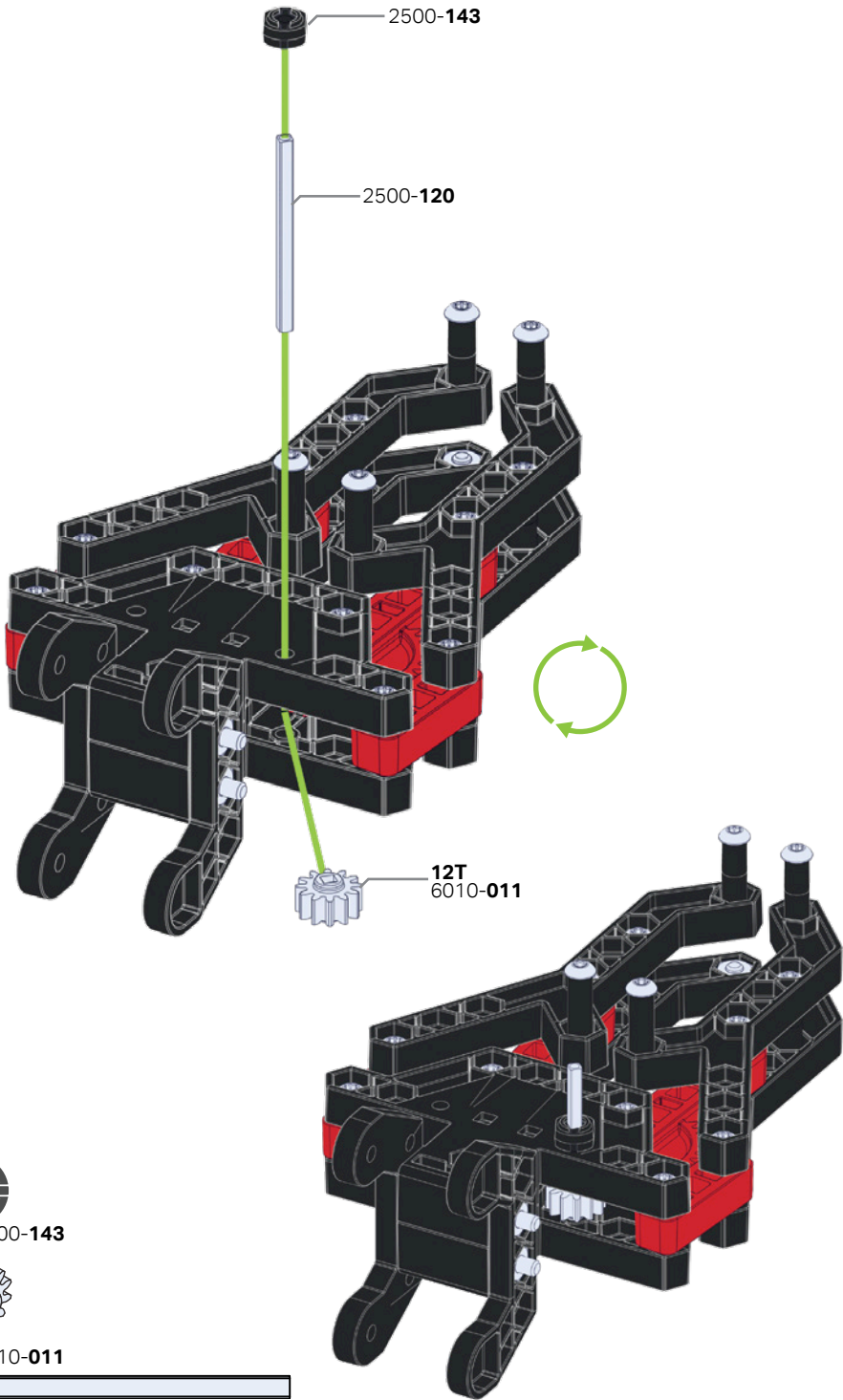


1x 0.875 in

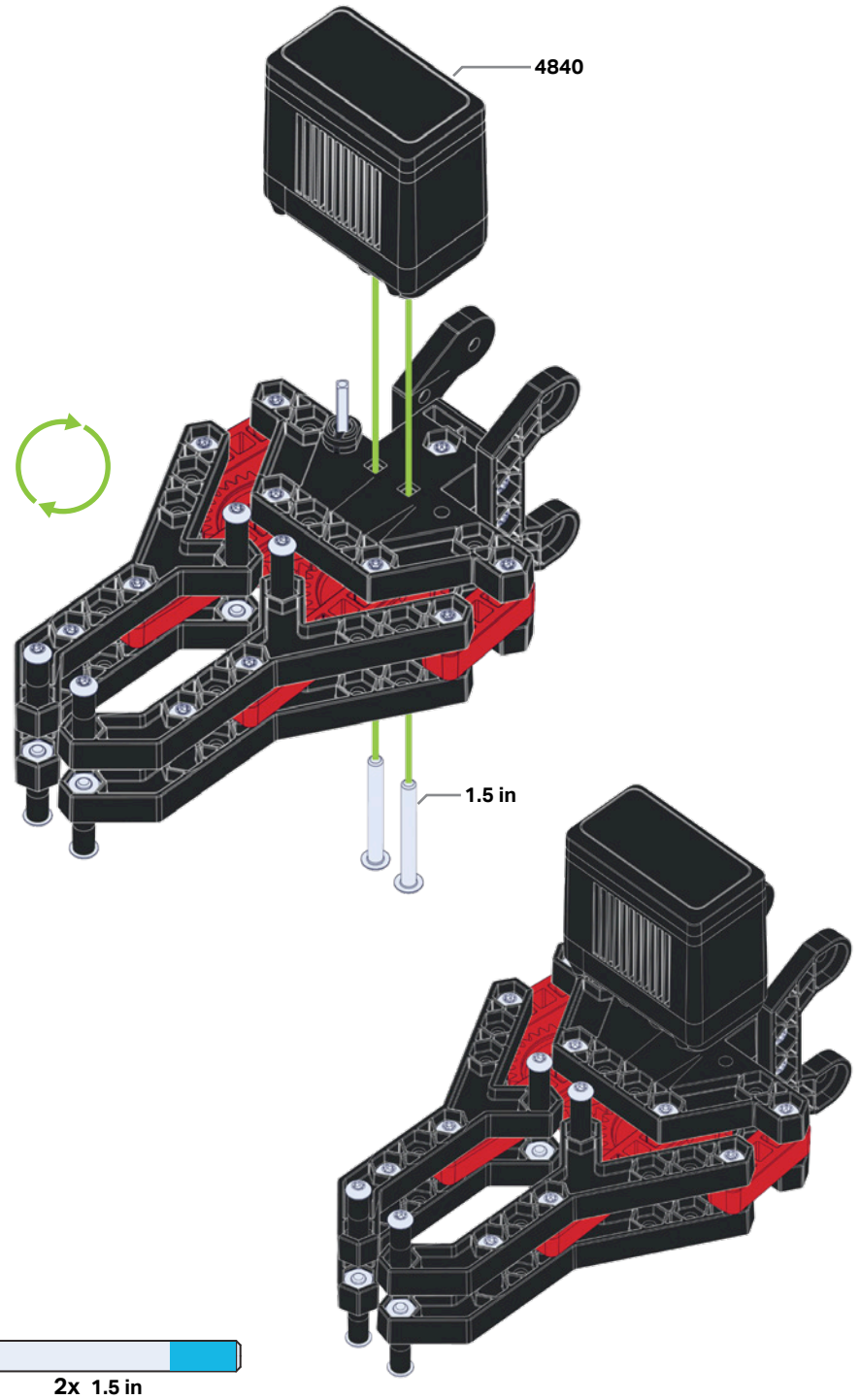


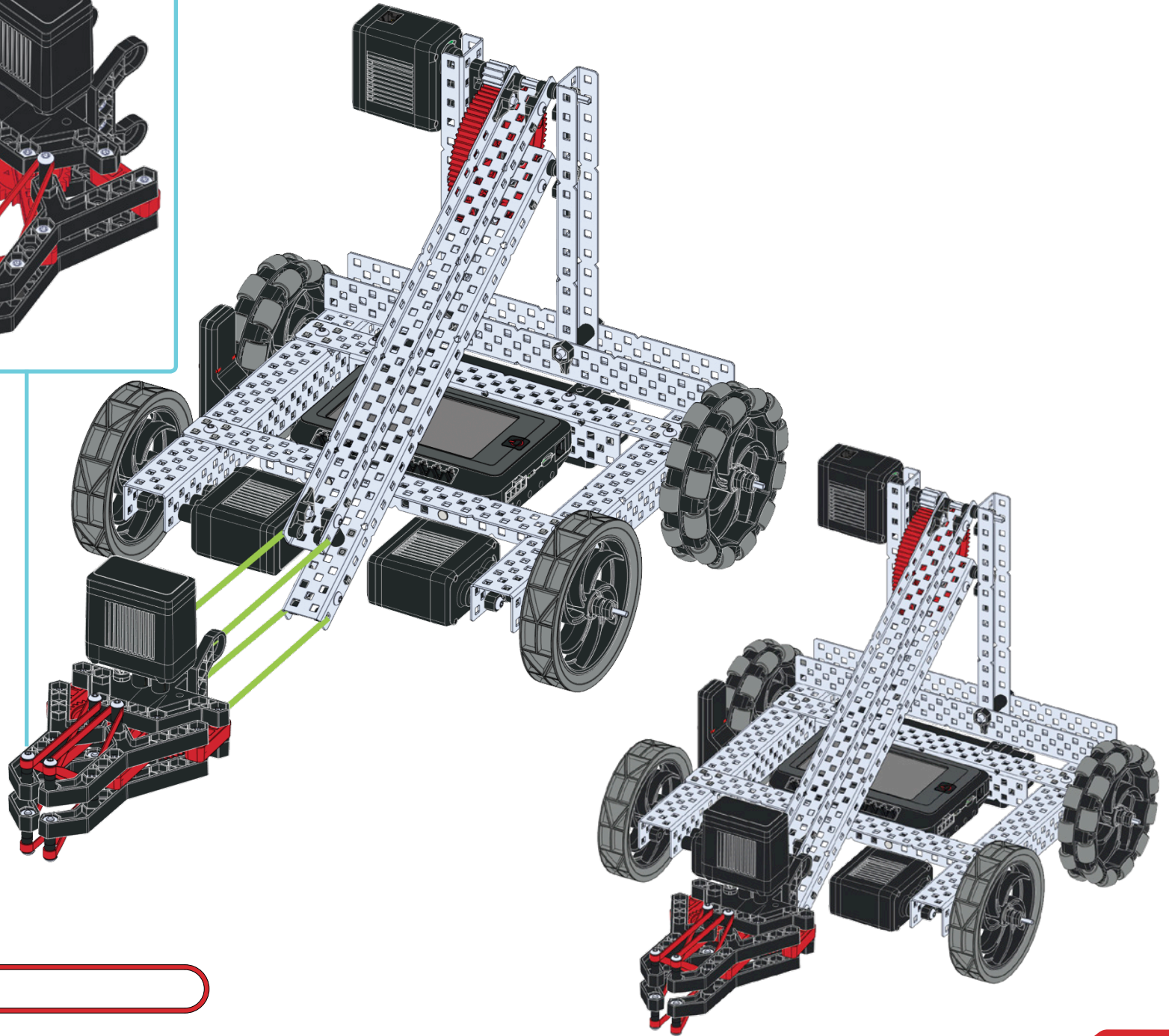
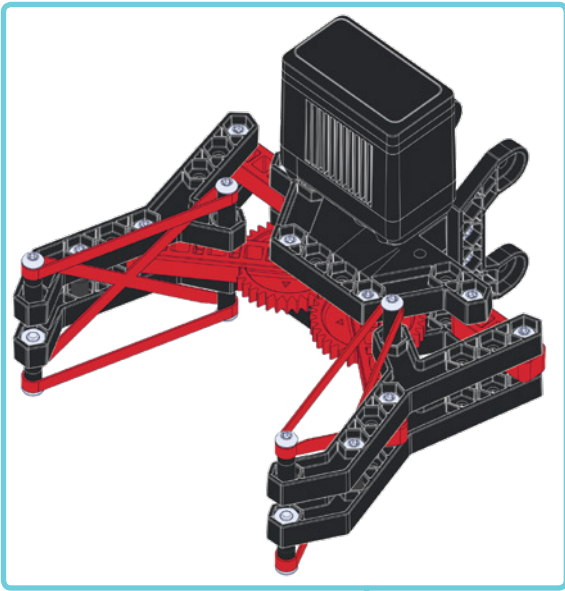
1x 1.5 in

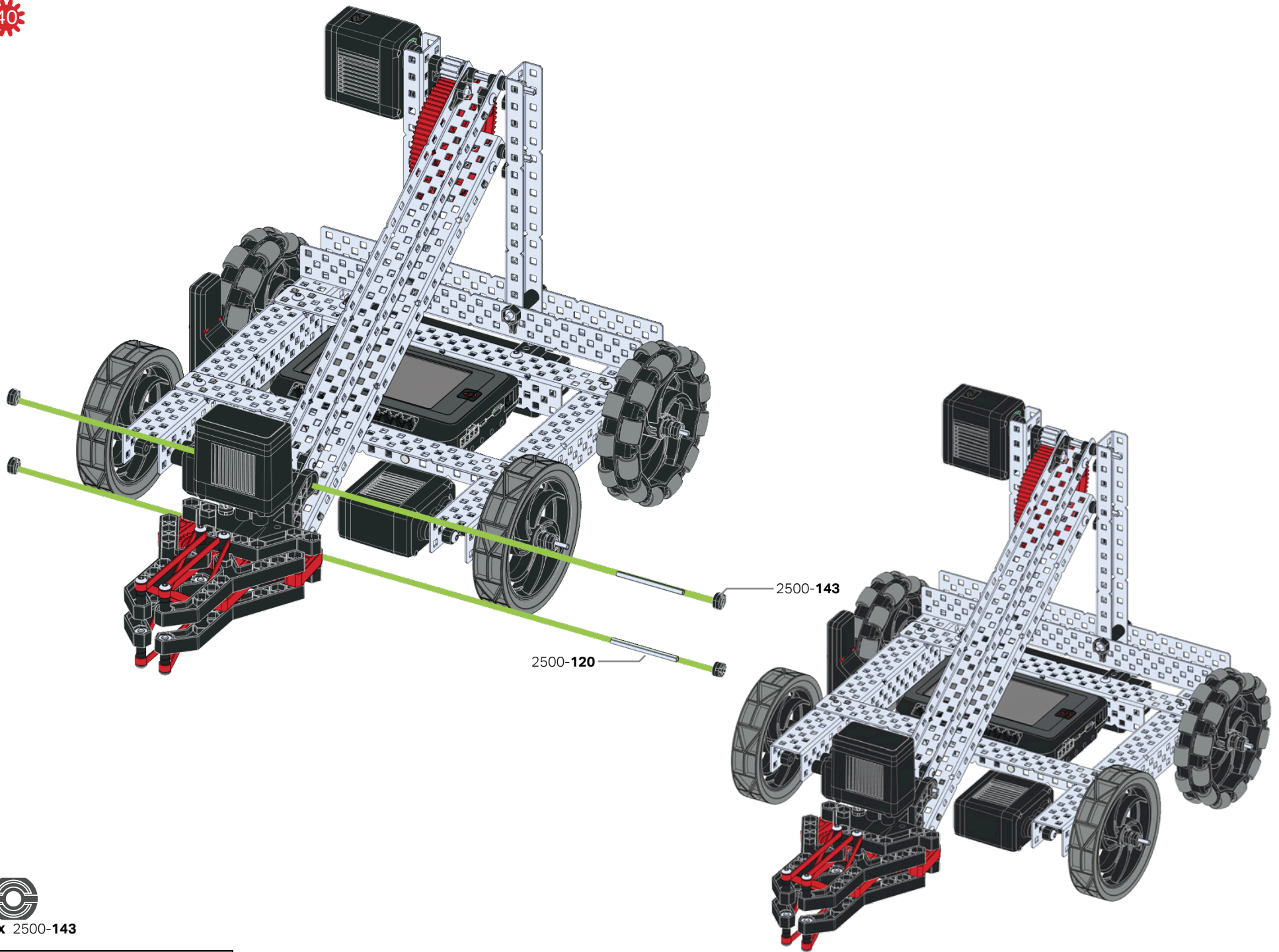
37



38

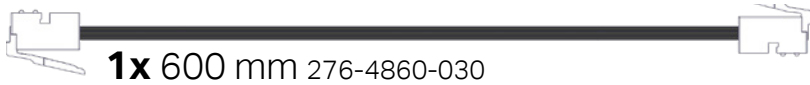
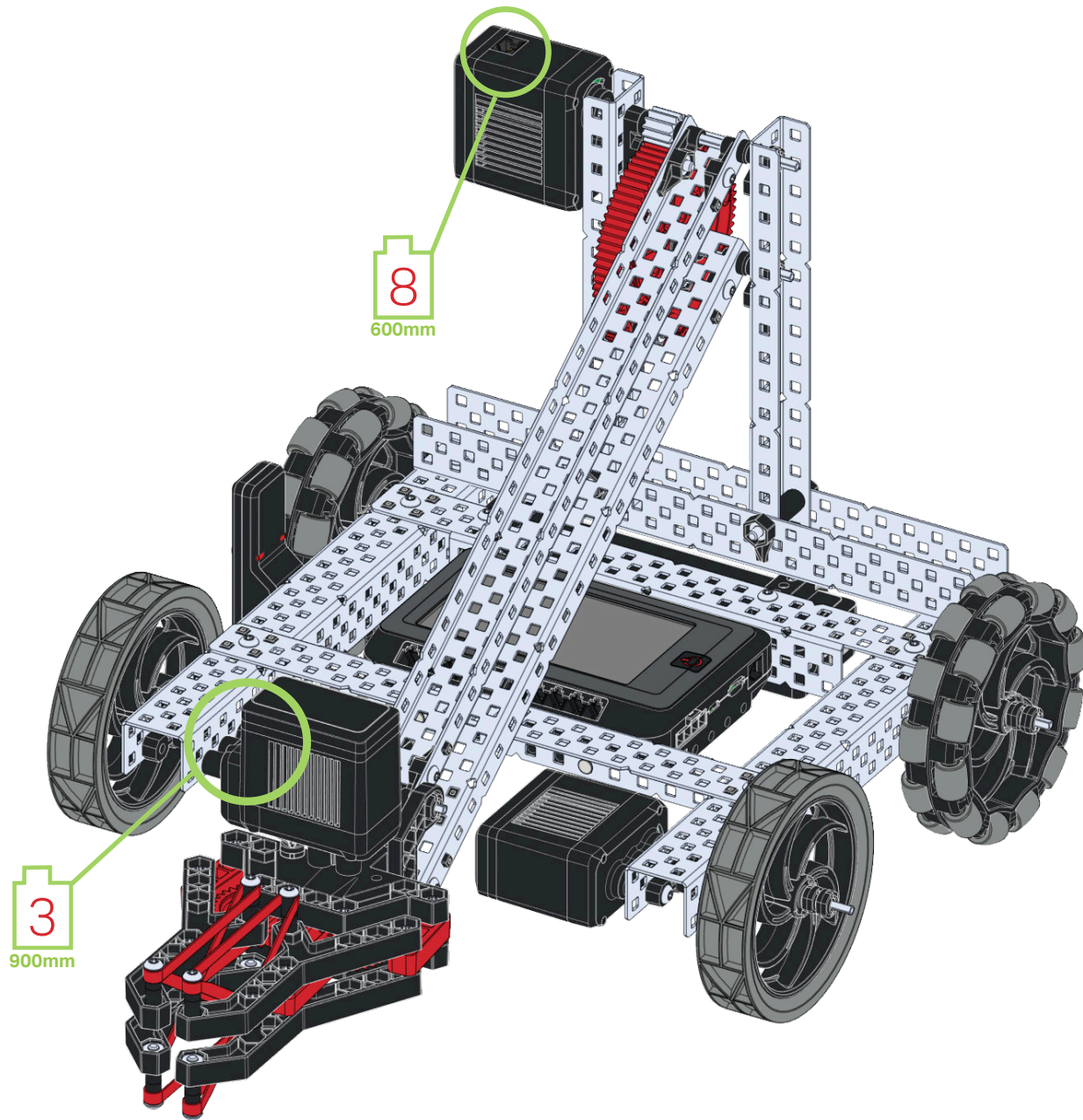






4x 2500-143

2x 2500-120



1x 600 mm 276-4860-030



1x 900 mm 276-4861-010

ClawbotBuild Instructions

276-6009-750 Rev1



Custom manufactured in China for Innovation First Trading SARL. Distributed in the U.S.A. by VEX Robotics, Inc., 6725 W. FM 1570, Greenville, TX 75402, U.S.A. Distributed in Europe by Innovation First Trading SARL, 21b rue Gabriel Lippmann, L-5365 Munsbach, Luxembourg +352 27 86 04 87. Distributed in Canada by / Distribué au Canada par / Innovation First Trading, Inc., 6725 W. FM 1570, Greenville, TX 75402, U.S.A. ©2018 VEX Robotics, Inc. All rights reserved. Tous droits réservés.